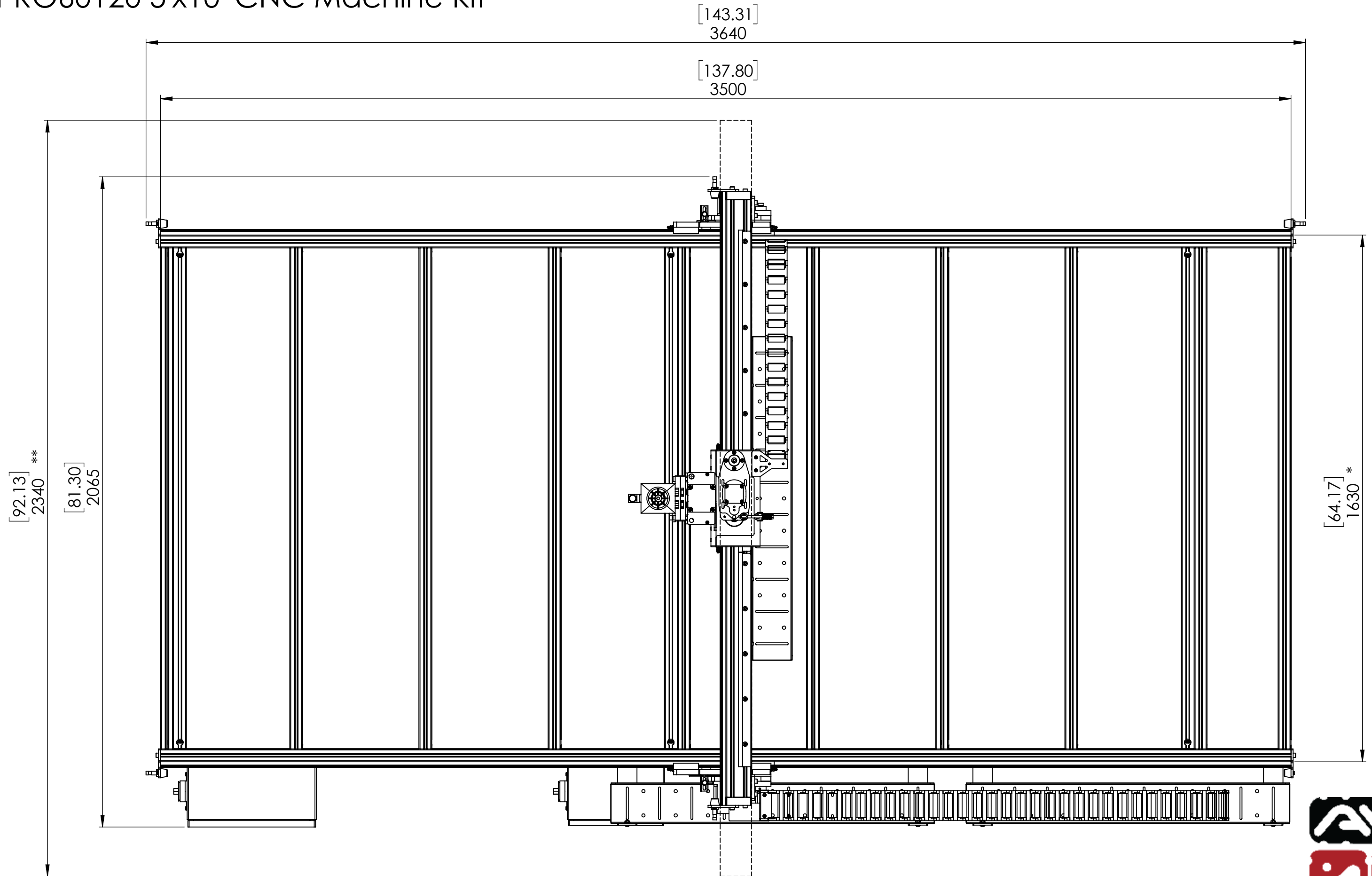


PRO60120 5'x10' CNC Machine Kit



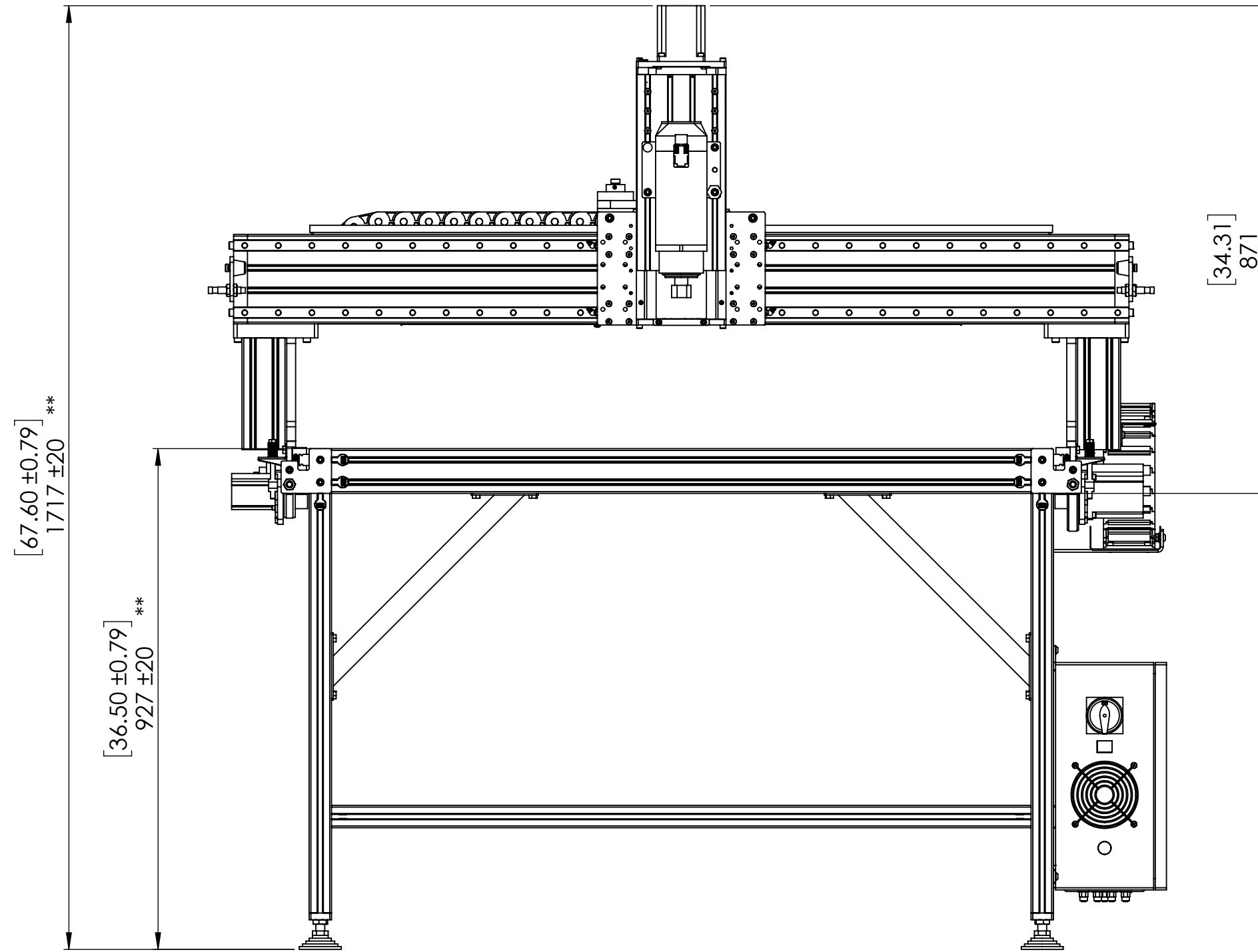
Updated 7/12/2018

* Dimension to outside edges of extrusion, use this measurement if building your own leg assembly
** Extended Gantry Option

Dimensions: [in]
mm



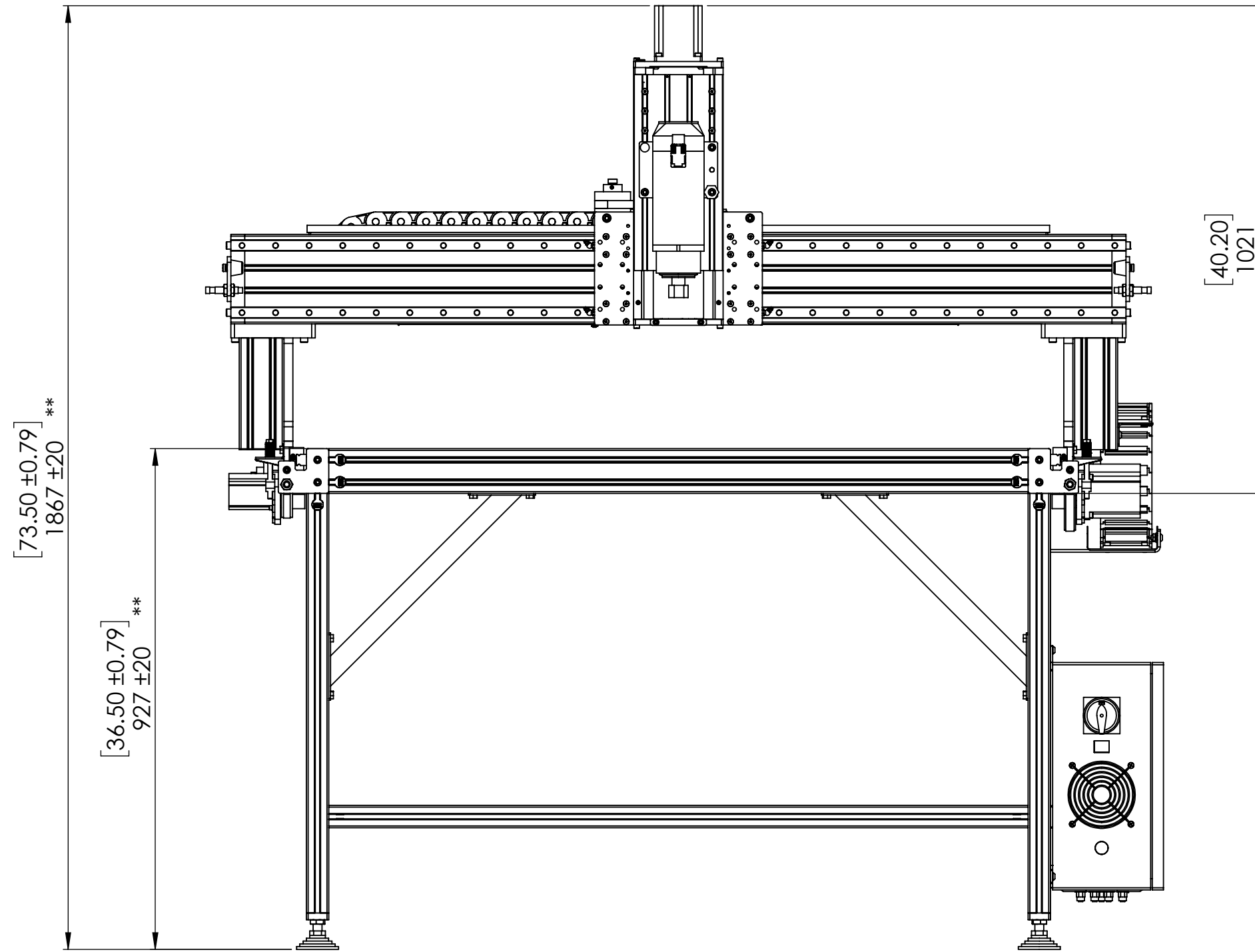
PRO CNC Machine 8" Z-Axis Travel / 8" Gantry Height



**Adjustment of leveling feet in leg kit will impact actual height dimensions



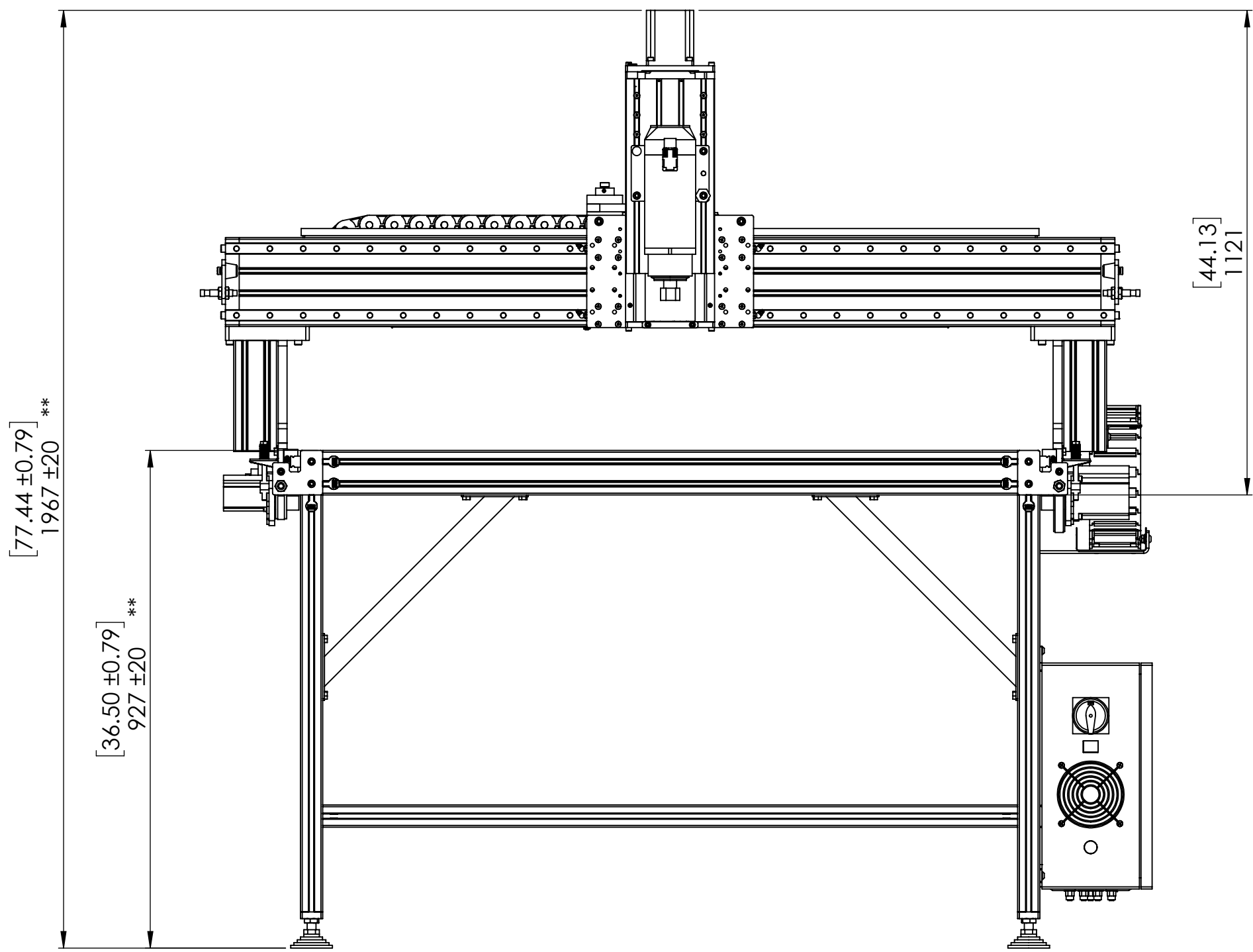
PRO CNC Machine 12" Z-Axis Travel / 8" Gantry Height



**Adjustment of leveling feet in leg kit will impact actual height dimensions

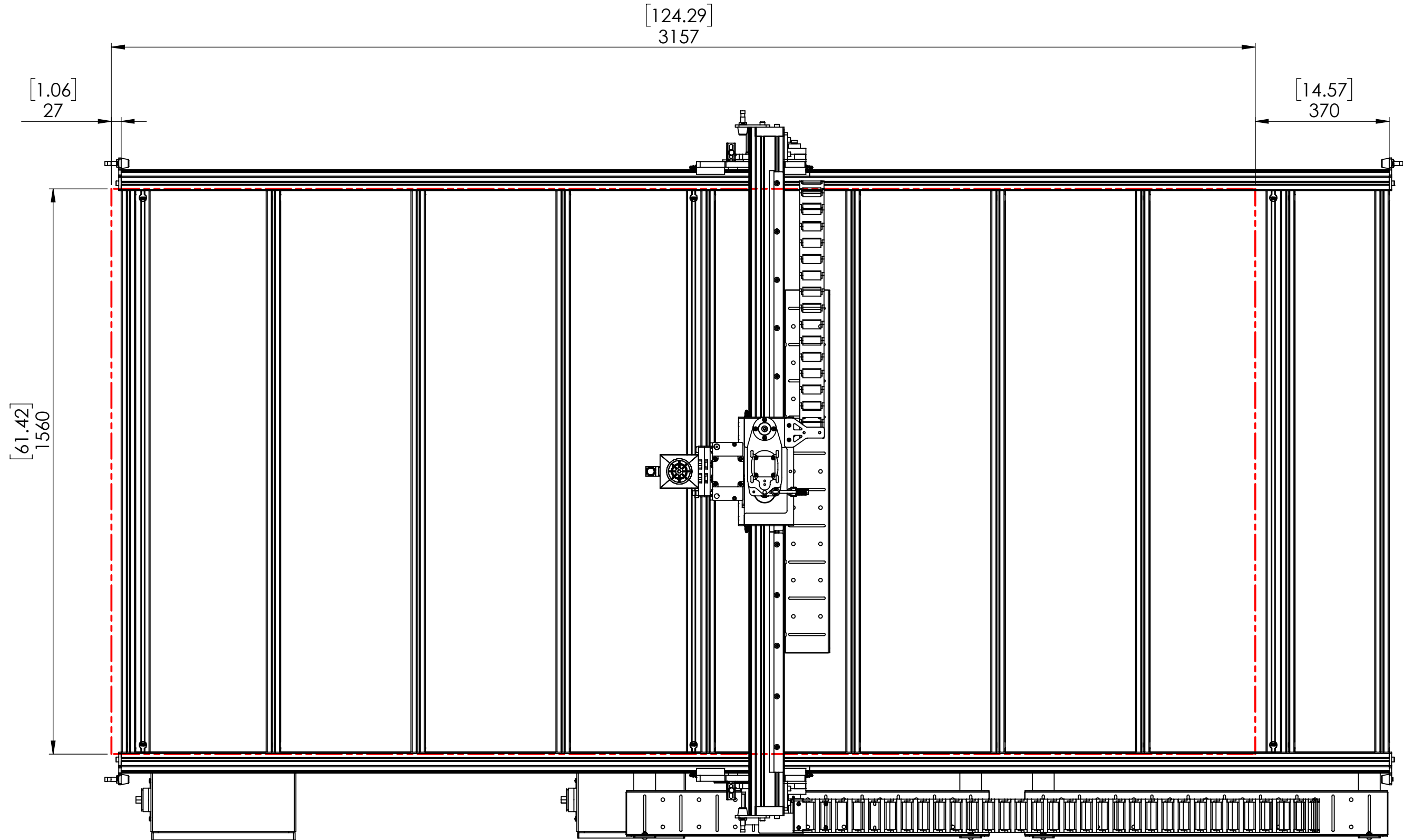


PRO CNC Machine 12" Z-Axis Travel / 12" Gantry Height



**Adjustment of leveling feet in leg kit will impact actual height dimensions

PRO60120 5'x10' CNC Machine Kit Work Area



*Work area dimensions shown in relation to center of tool

