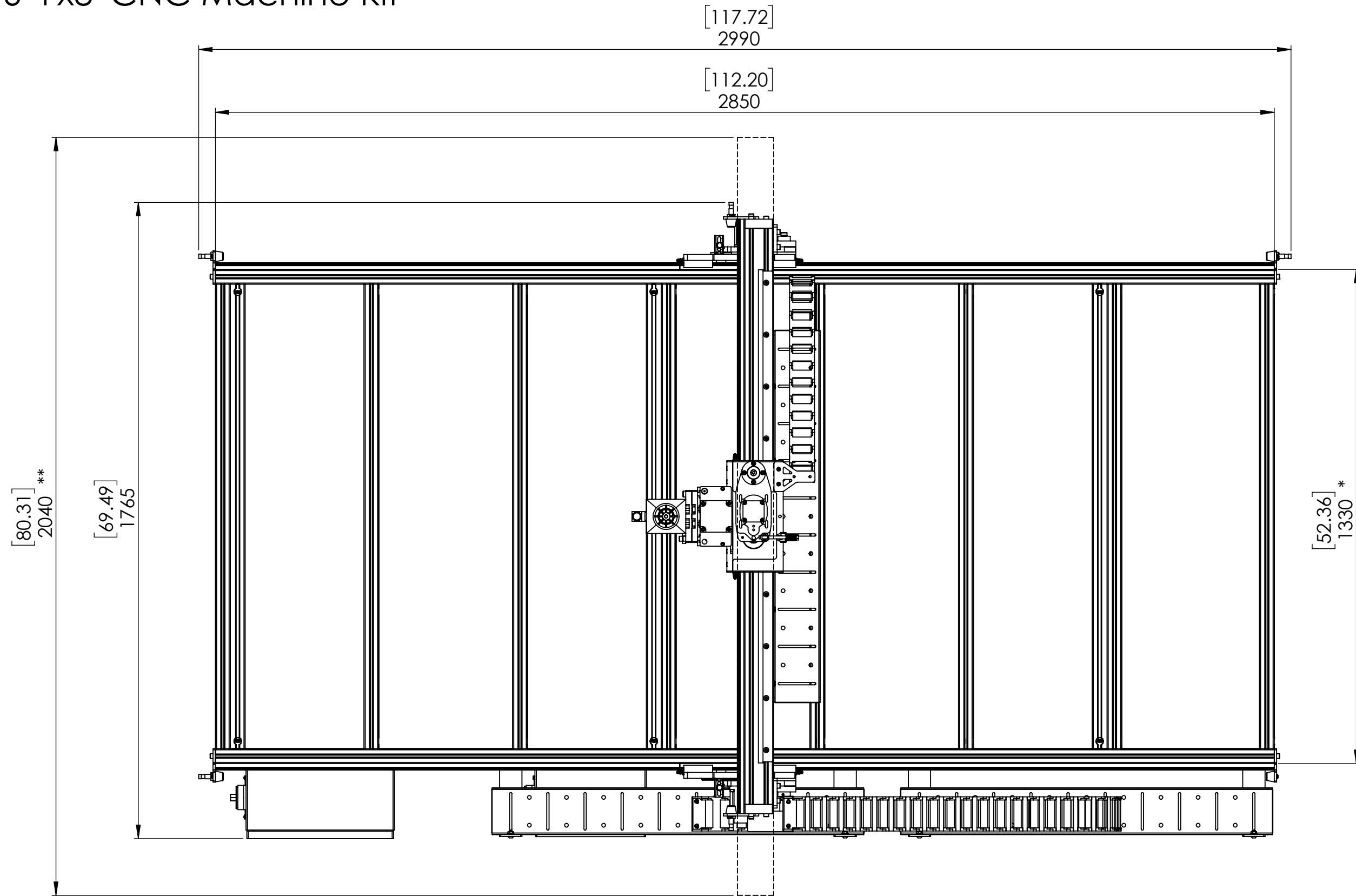


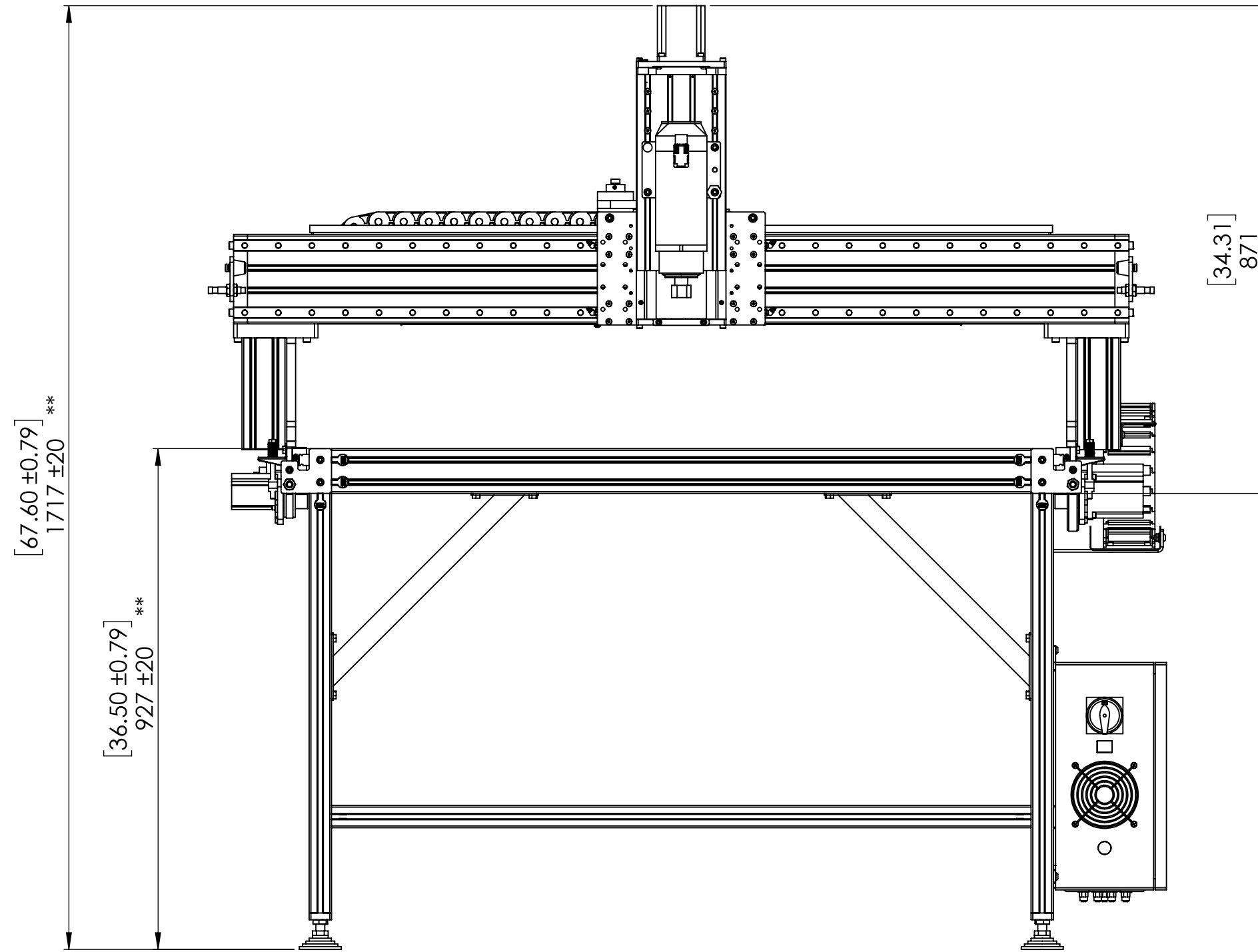
PRO4896 4'x8' CNC Machine Kit



* Dimension to outside edges of extrusion, use this measurement if building your own leg assembly
** Extended Gantry Option



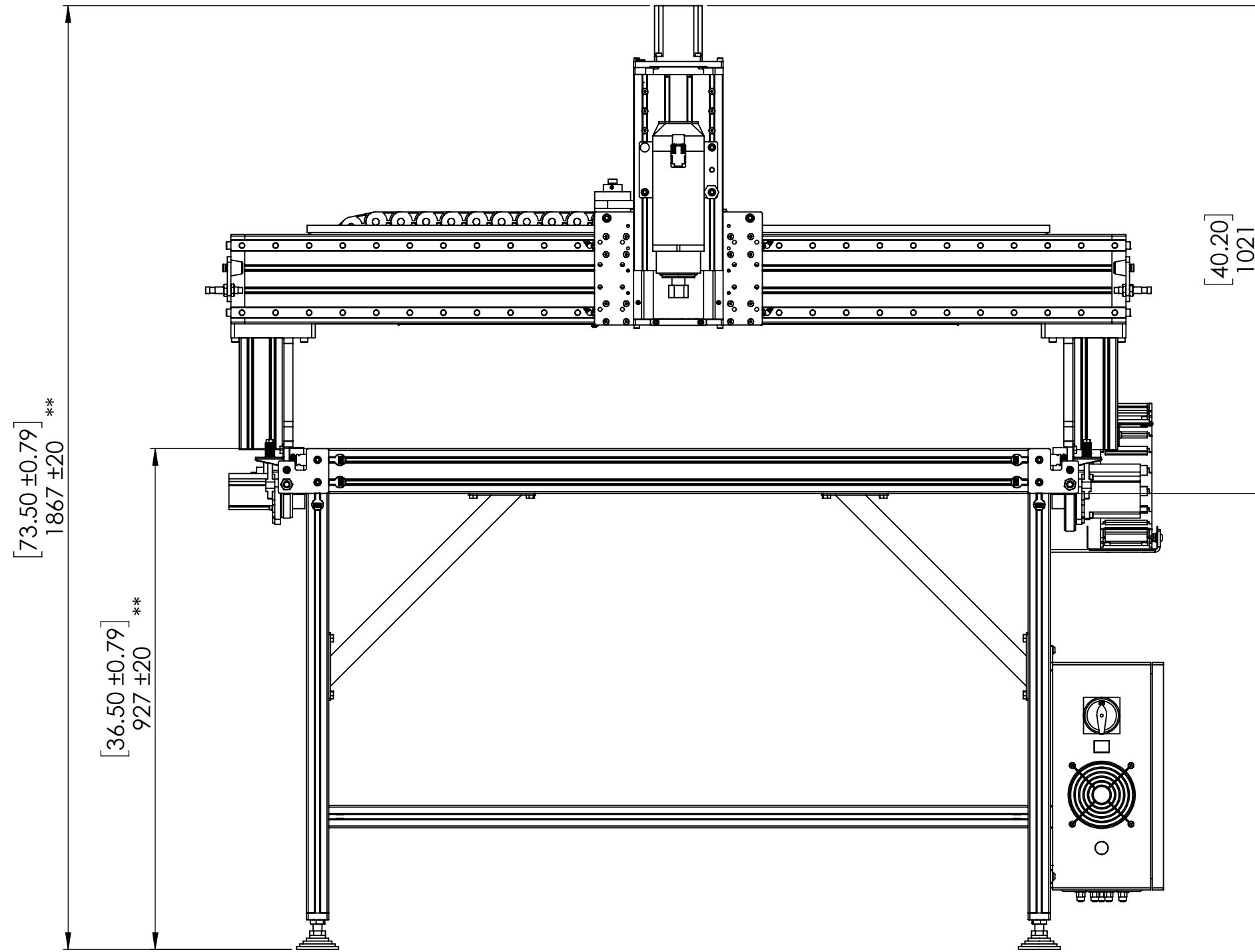
PRO CNC Machine 8" Z-Axis Travel / 8" Gantry Height



**Adjustment of leveling feet in leg kit will impact actual height dimensions



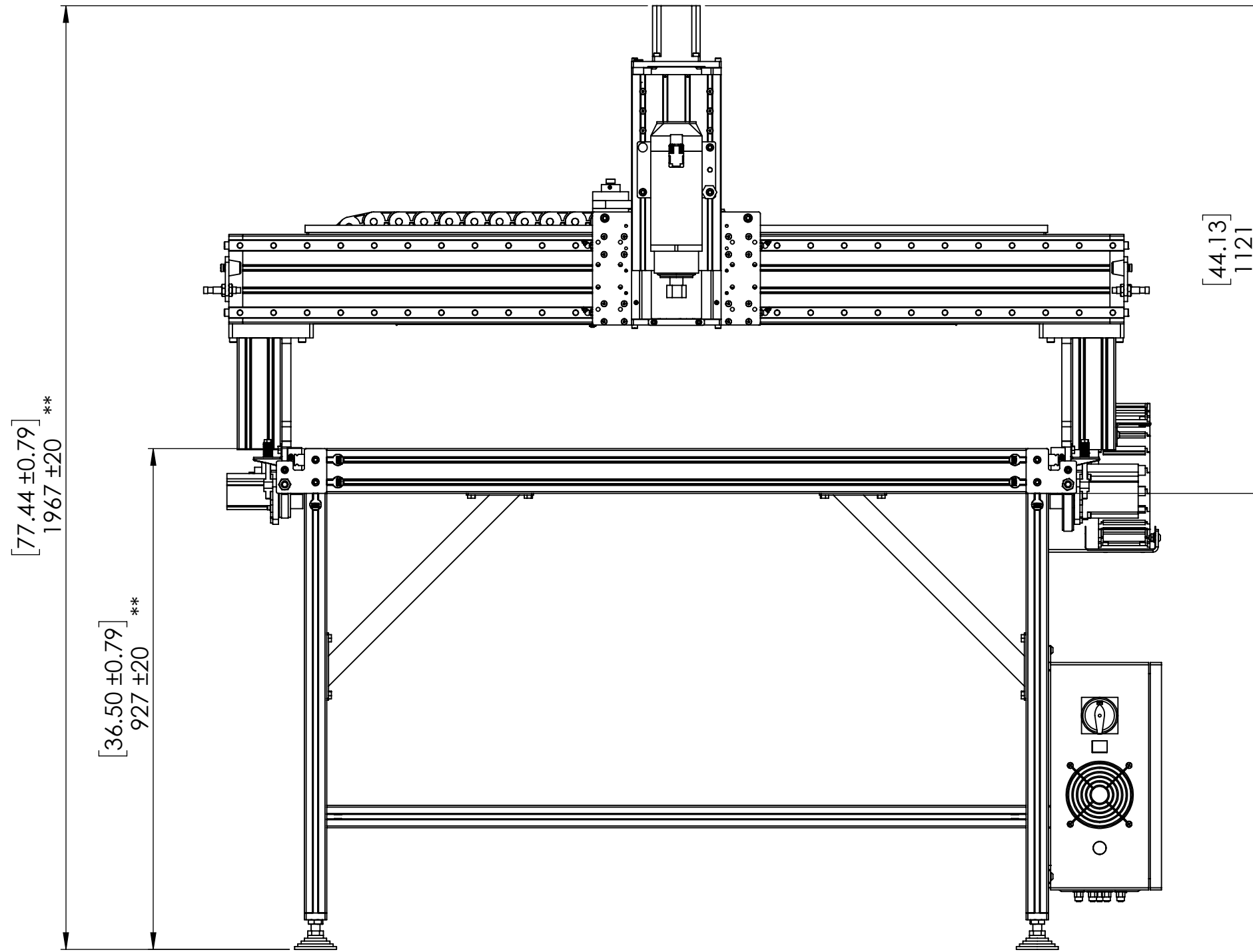
PRO CNC Machine 12" Z-Axis Travel / 8" Gantry Height



**Adjustment of leveling feet in leg kit will impact actual height dimensions



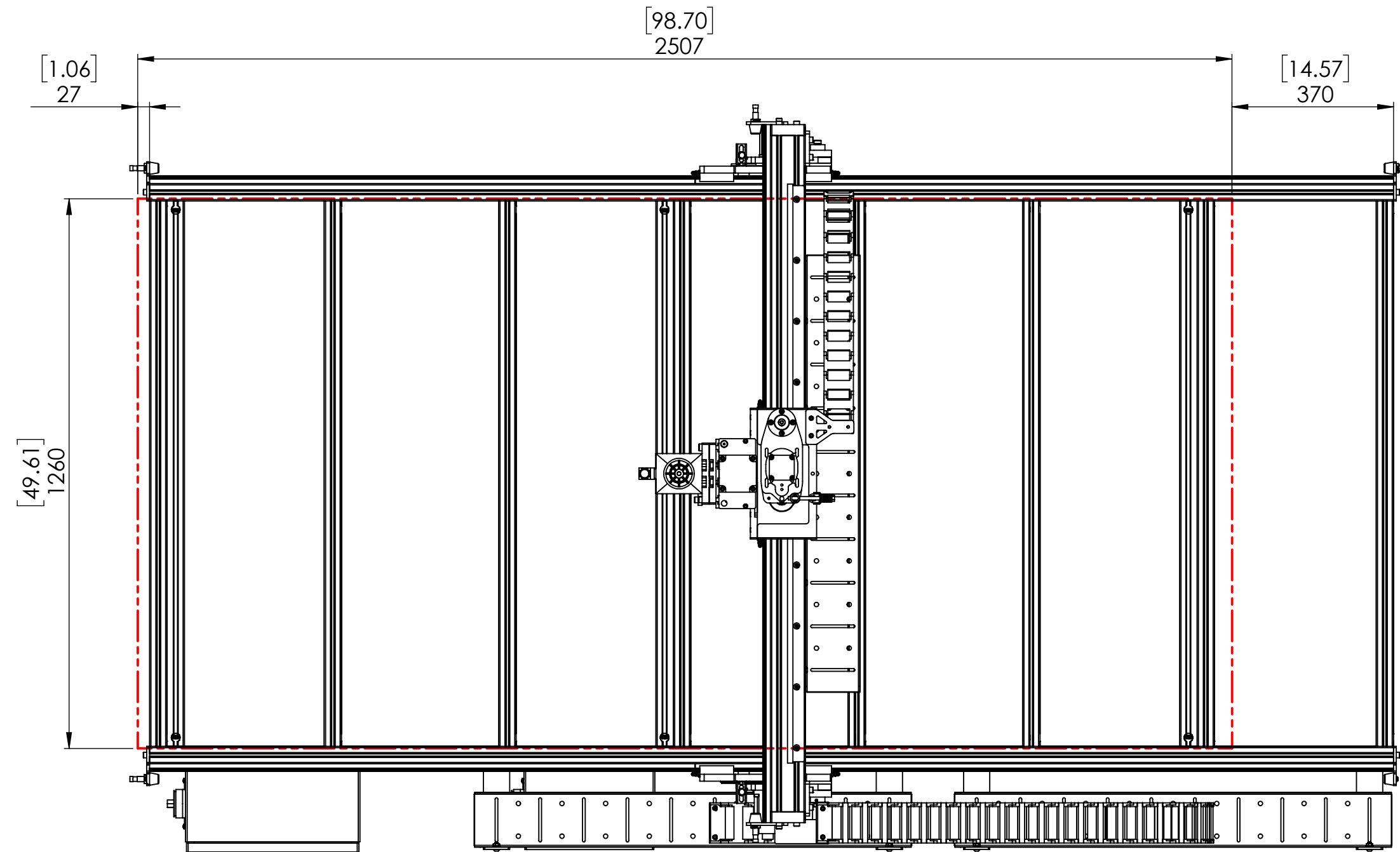
PRO CNC Machine 12" Z-Axis Travel / 12" Gantry Height



**Adjustment of leveling feet in leg kit will impact actual height dimensions



PRO4896 4'x8' CNC Machine Kit Work Area



*Work area dimensions shown in relation to center of tool