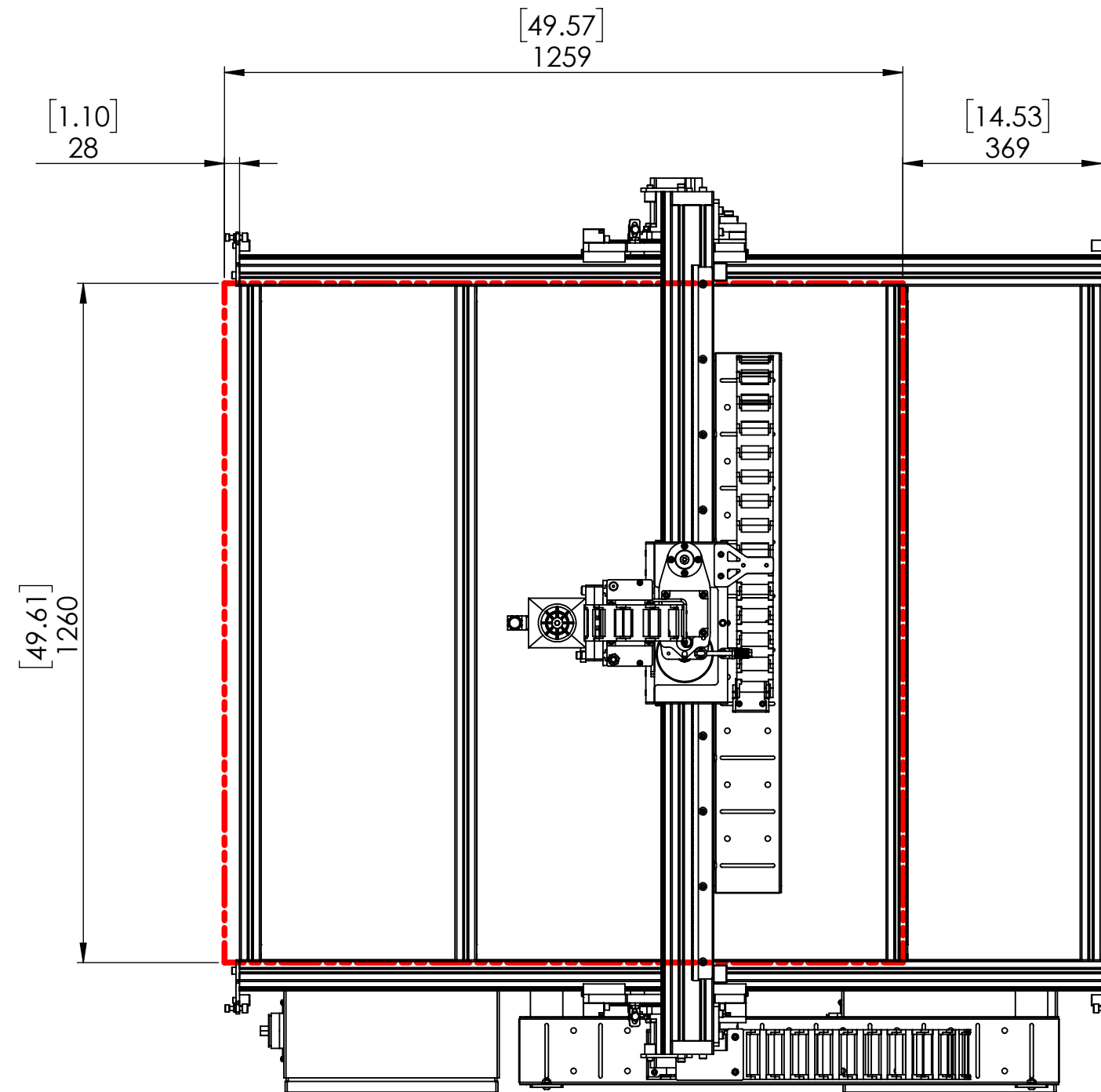


# PRO4848 4'x4' CNC Machine Kit Work Area



\*Work area dimensions shown in relation to center of tool