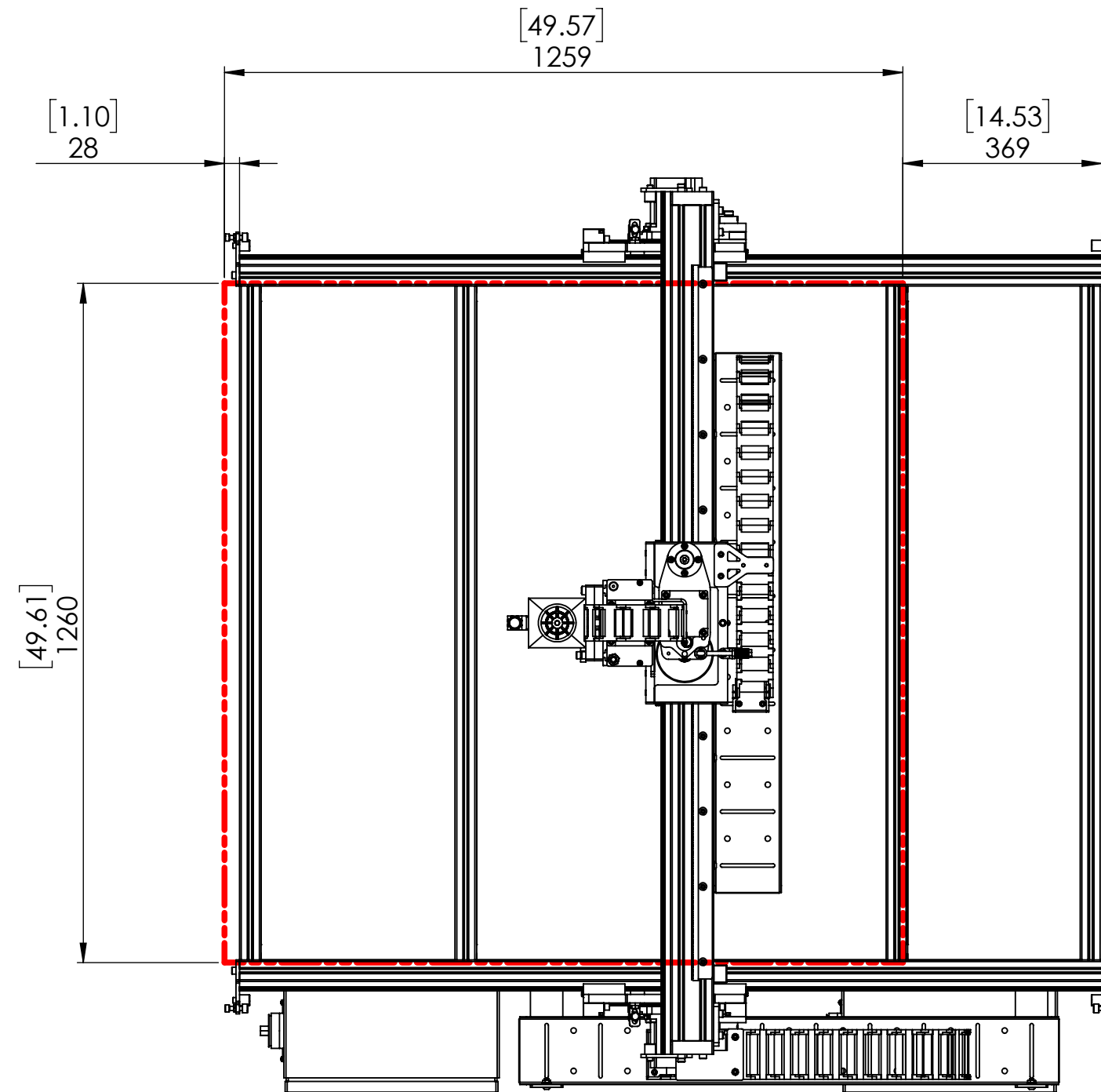
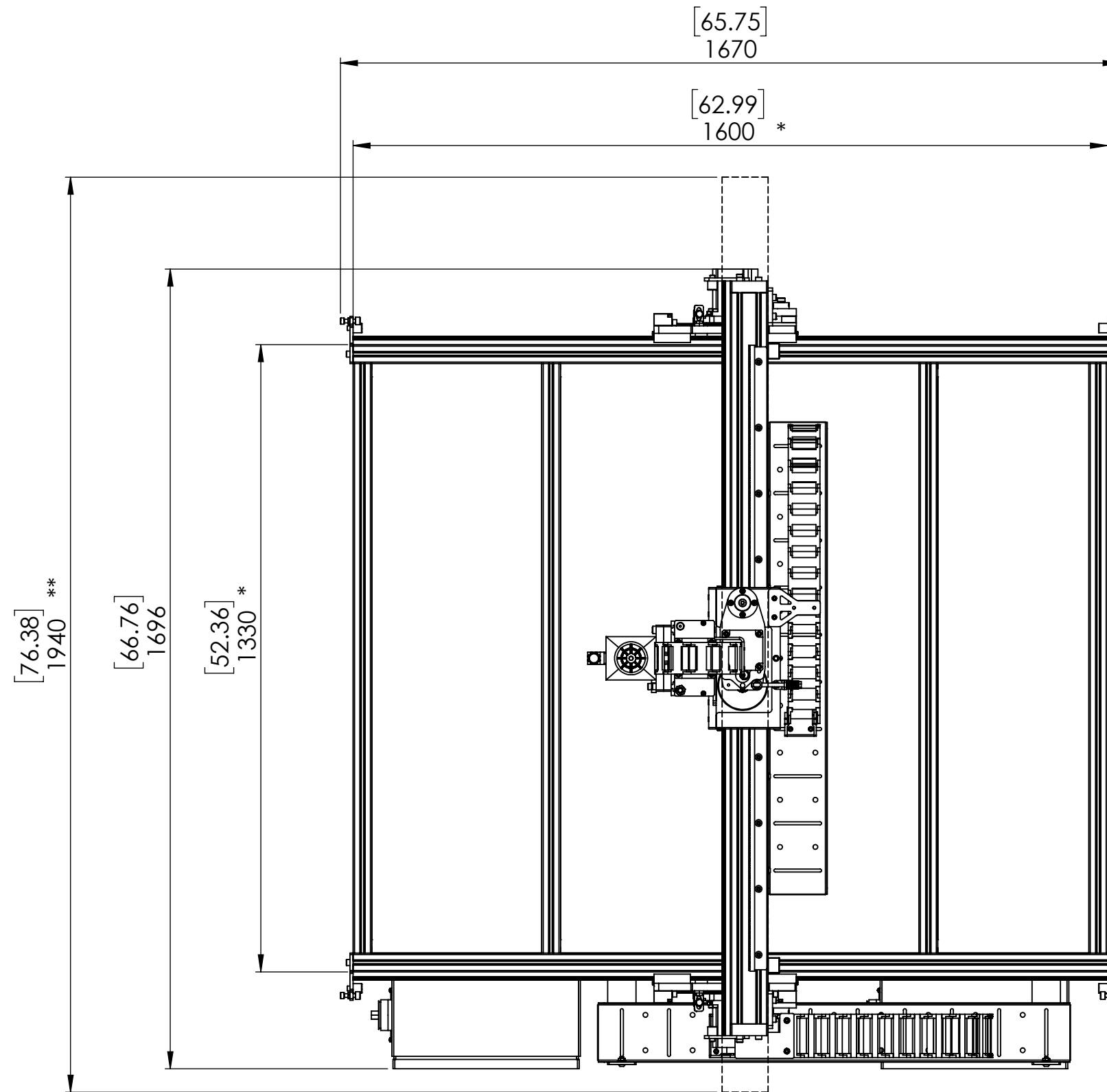


# PRO4848 4'x4' CNC Machine Kit Work Area



\*Work area dimensions shown in relation to center of tool

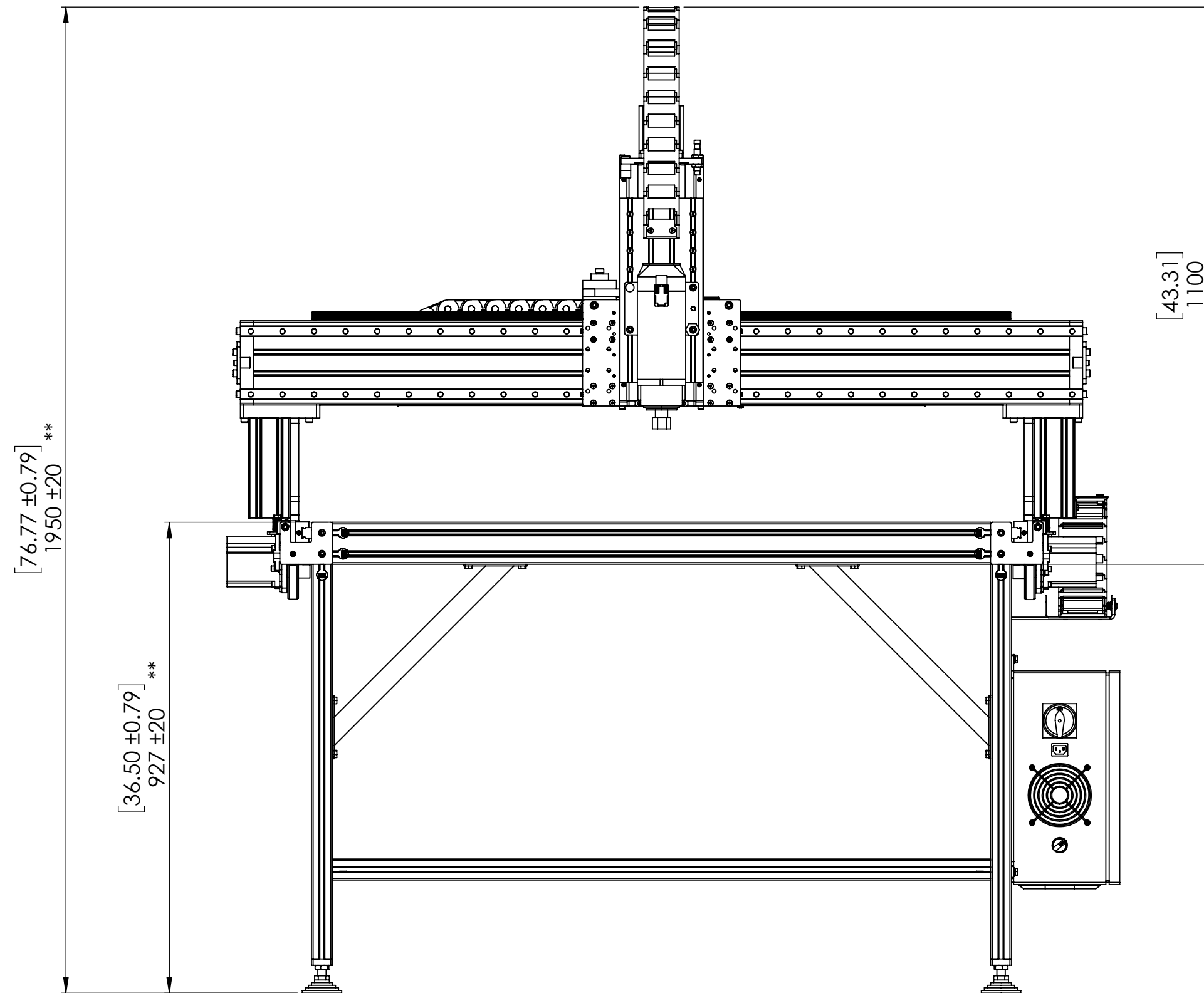
# PRO4848 4'x4' CNC Machine Kit (Top Down View)



\* Dimension to outside edges of extrusion, use this measurement if building your own leg assembly  
\*\* Extended Gantry Option

# PRO CNC Machine

8" Z-Axis Travel / 8" Gantry Height



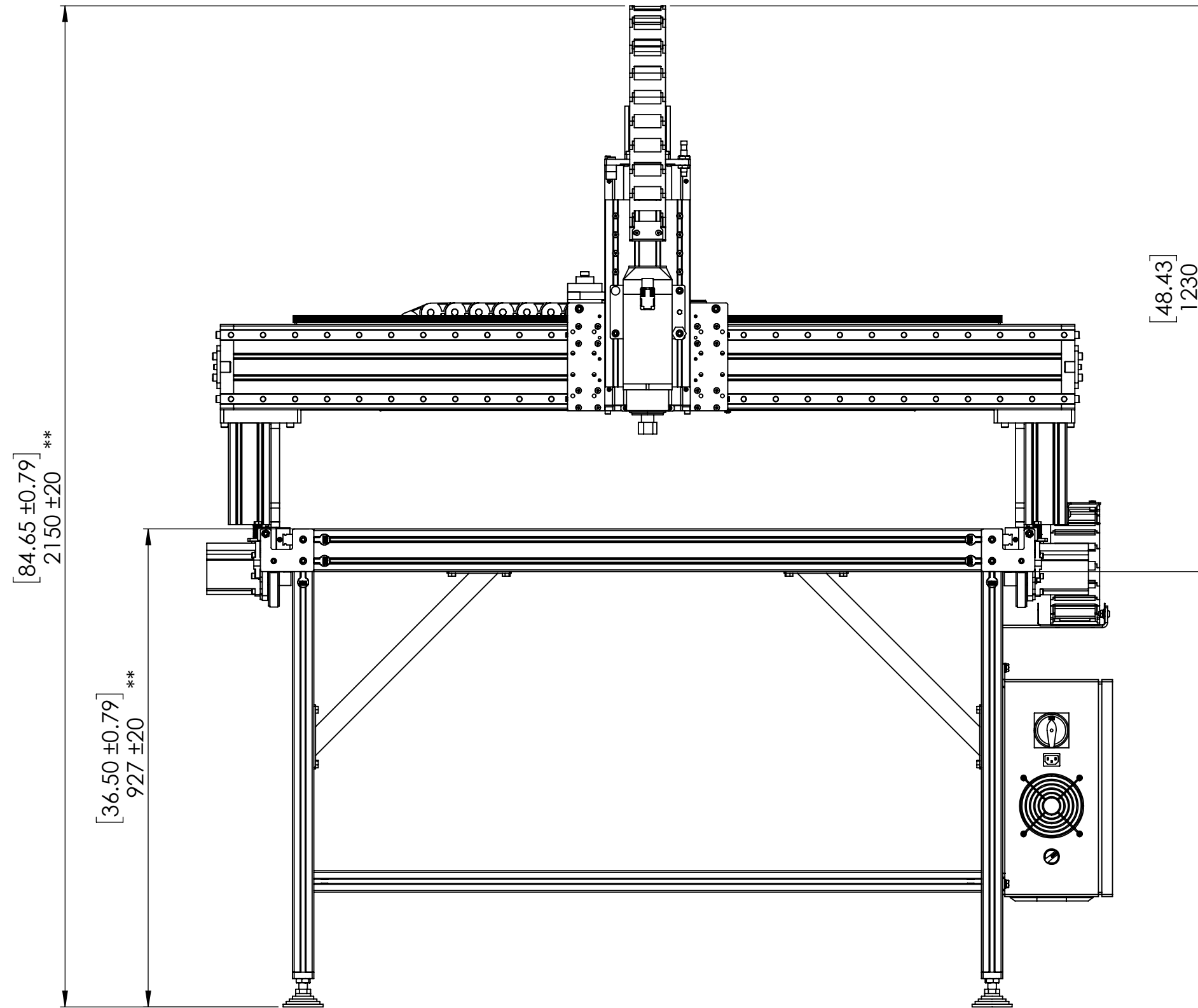
Updated 1/28/2019

\*\*Adjustment of leveling feet in leg kit will impact actual height dimensions

Dimensions: [in]  
mm



# PRO CNC Machine 12" Z-Axis Travel / 8" Gantry Height



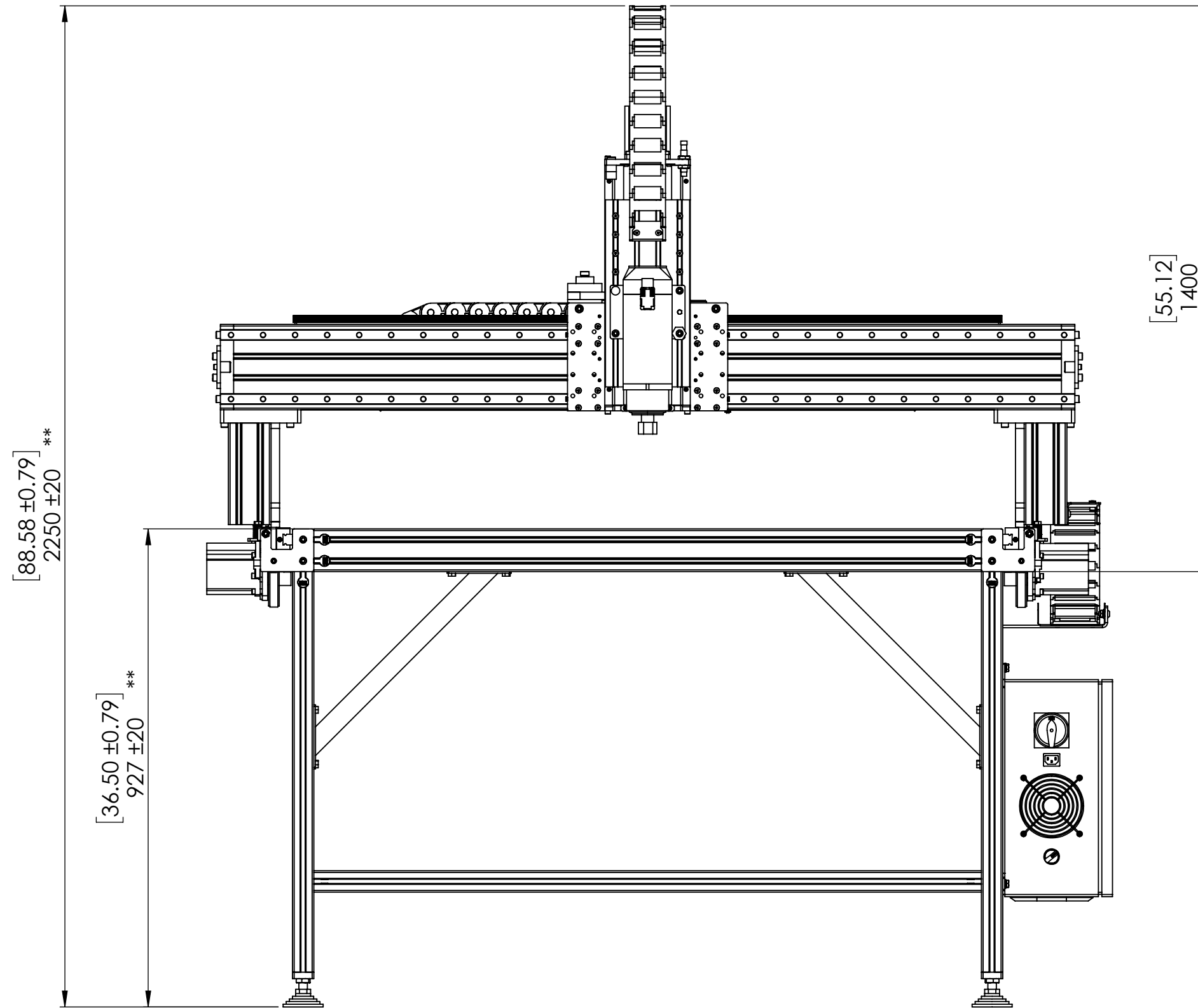
Updated 1/28/2019

\*\*Adjustment of leveling feet in leg kit will impact actual height dimensions

Dimensions: [in]  
mm



# PRO CNC Machine 12" Z-Axis Travel / 12" Gantry Height



Updated 1/28/2019

\*\*Adjustment of leveling feet in leg kit will impact actual height dimensions

Dimensions: [in]  
mm

