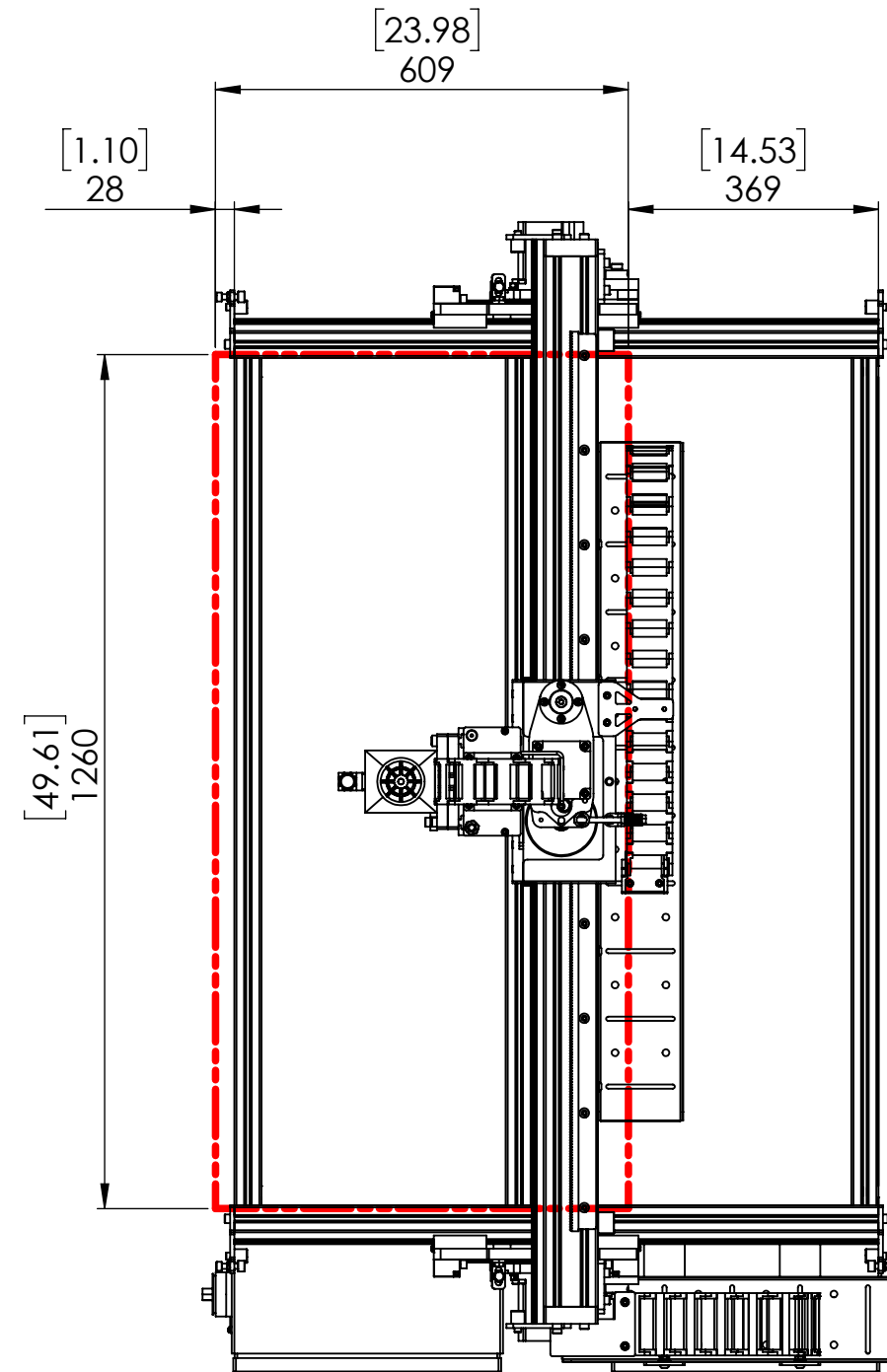
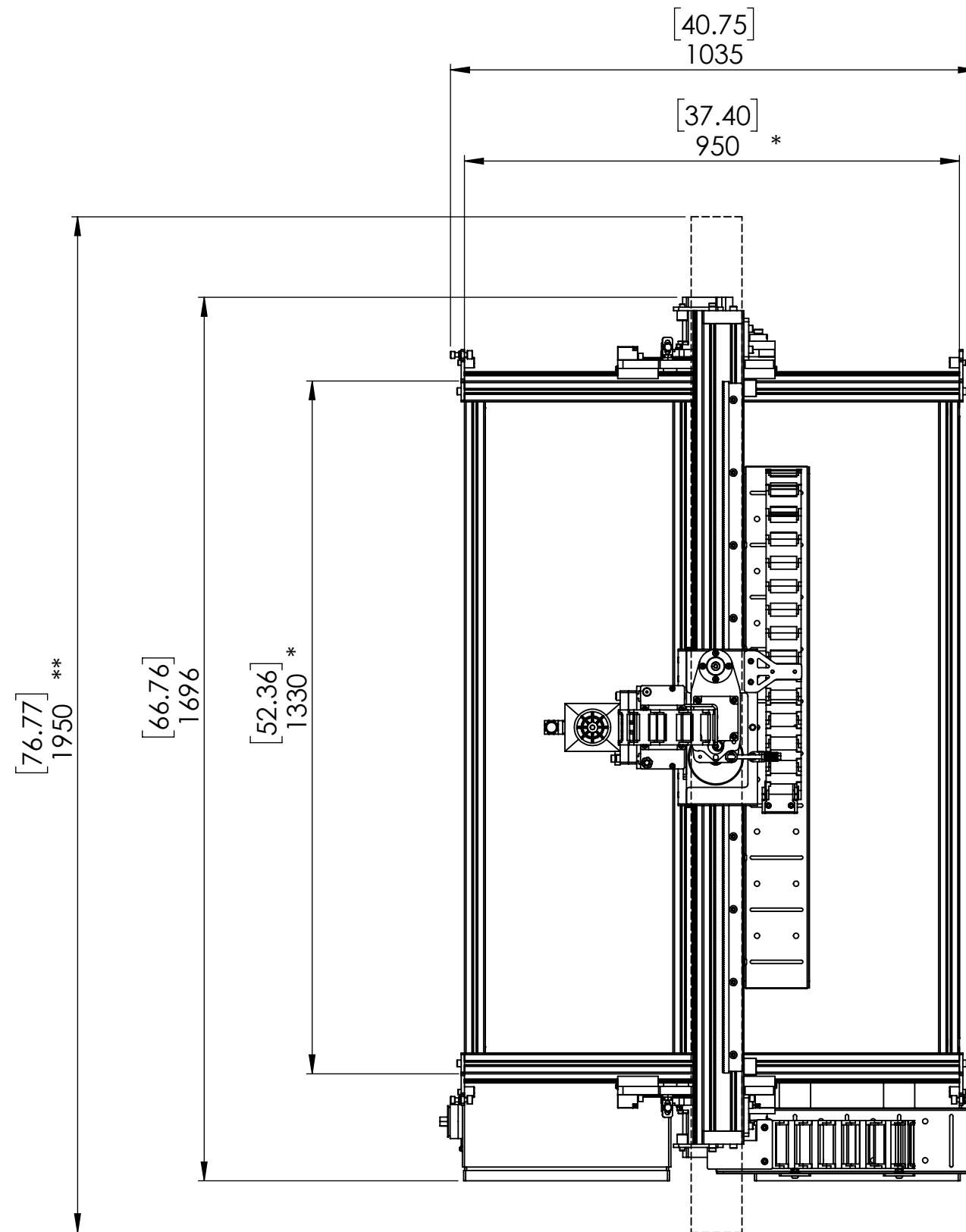


# PRO4824 4'x2' CNC Machine Kit Work Area



\*Work area dimensions shown in relation to center of tool

# PRO4824 4'x2' CNC Machine Kit (Top Down View)



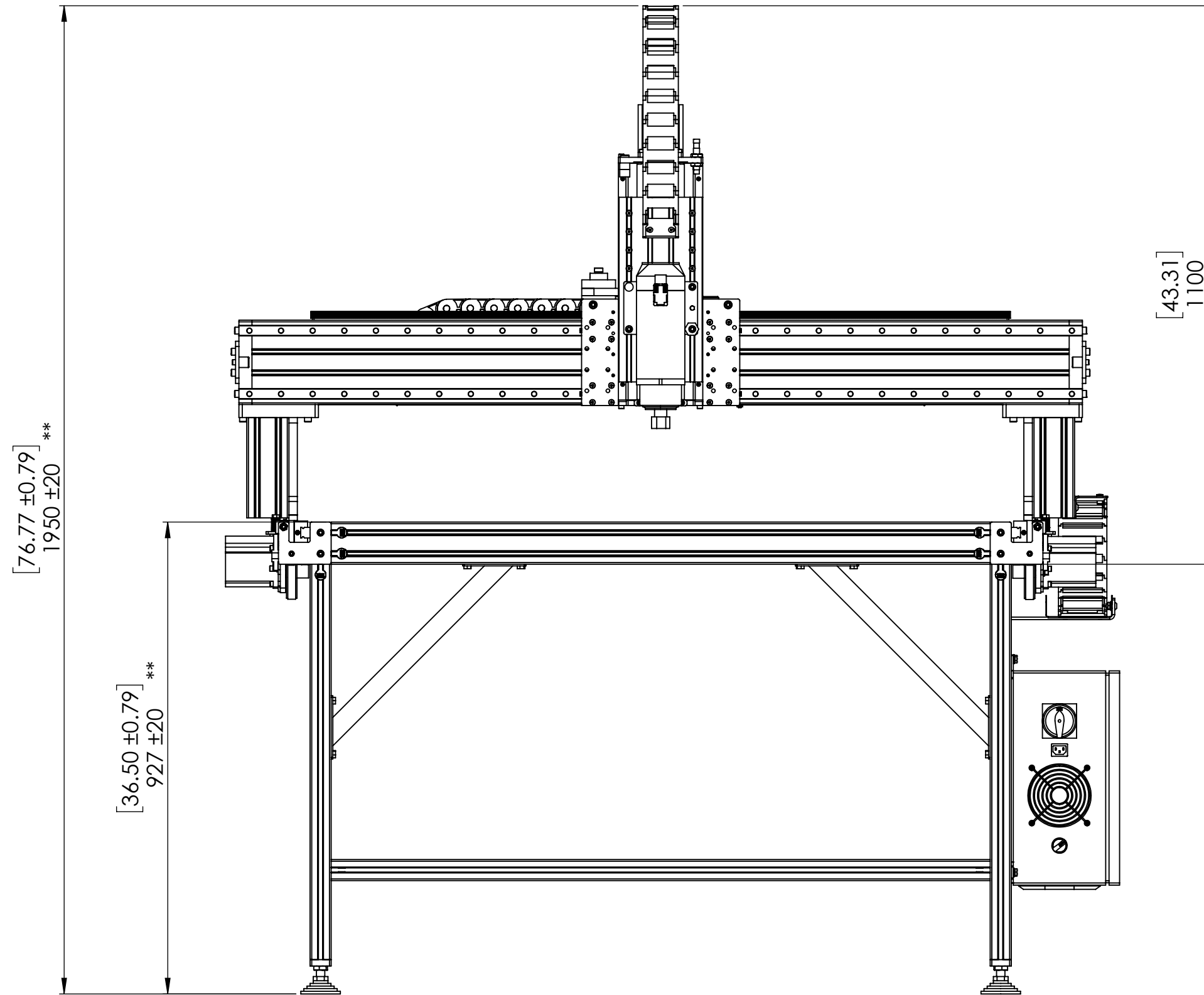
\* Dimension to outside edges of extrusion, use this measurement if building your own leg assembly

\*\* Extended Gantry Option



# PRO CNC Machine

## 8" Z-Axis Travel / 8" Gantry Height



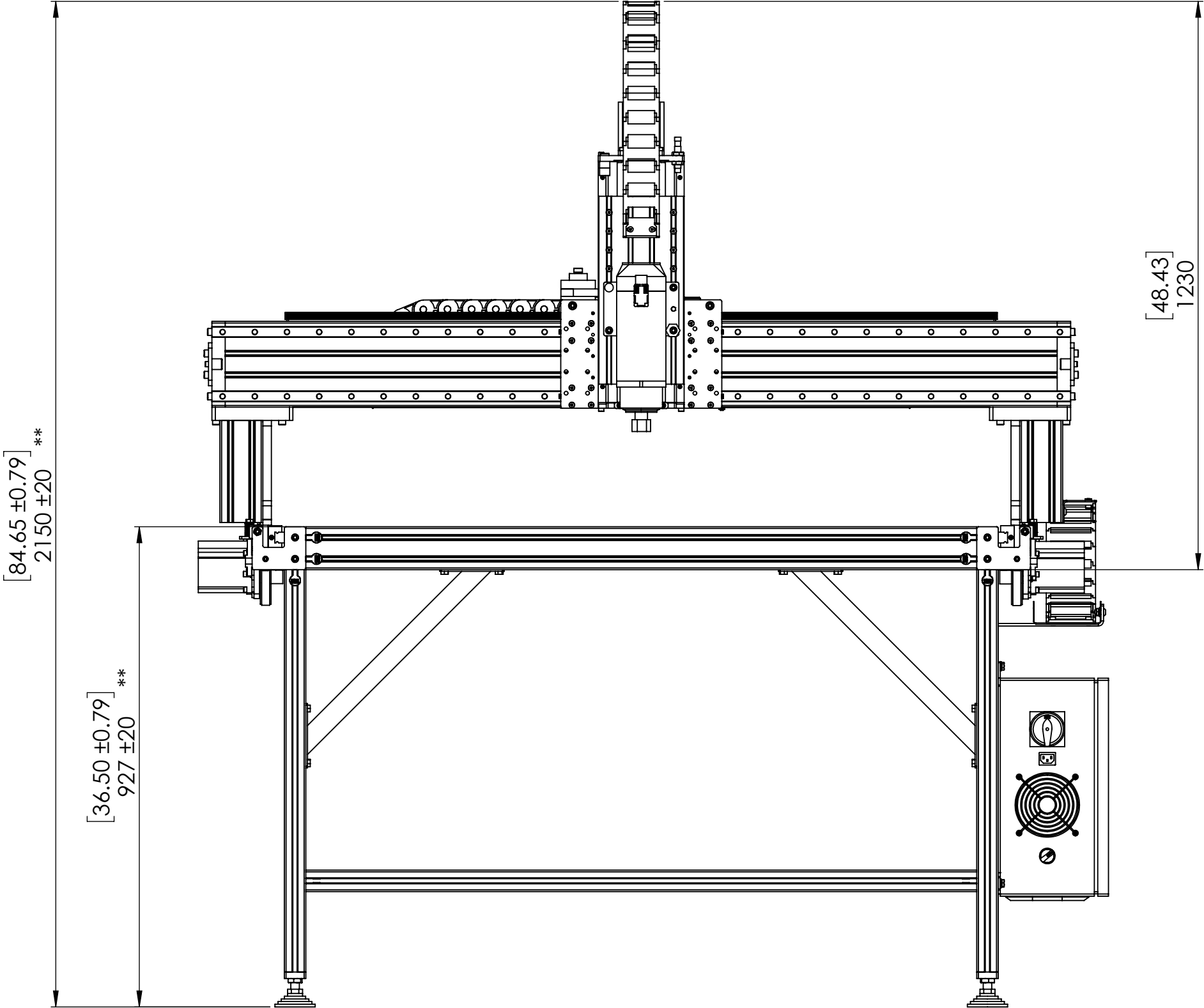
Updated 1/28/2019

\*\*Adjustment of leveling feet in leg kit will impact actual height dimensions

Dimensions: [in]  
mm



# PRO CNC Machine 12" Z-Axis Travel / 8" Gantry Height



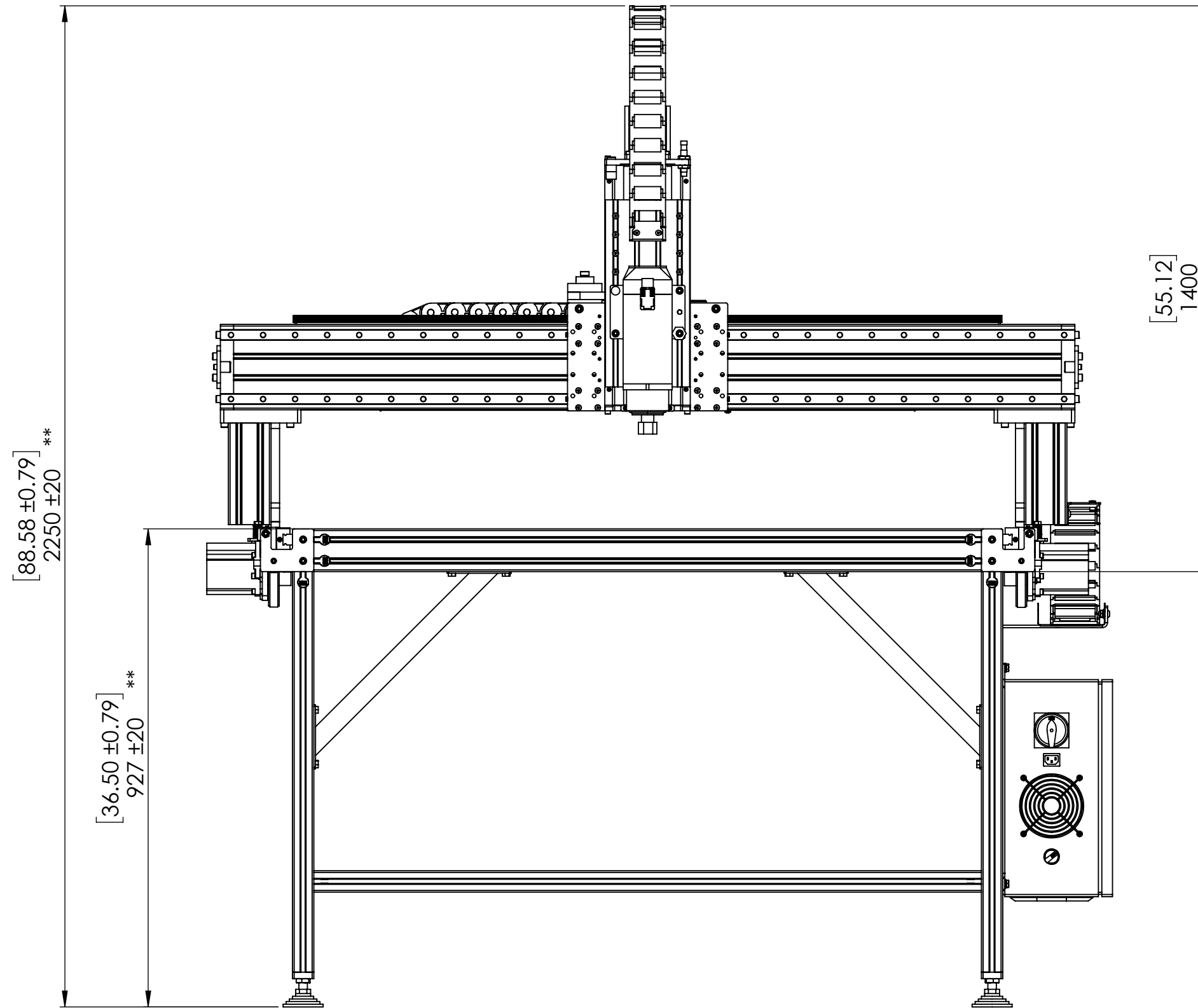
Updated 1/28/2019

\*\*Adjustment of leveling feet in leg kit will impact actual height dimensions

Dimensions: [in]  
mm



# PRO CNC Machine 12" Z-Axis Travel / 12" Gantry Height



Updated 1/28/2019

\*\*Adjustment of leveling feet in leg kit will impact actual height dimensions

Dimensions: [in]  
mm

