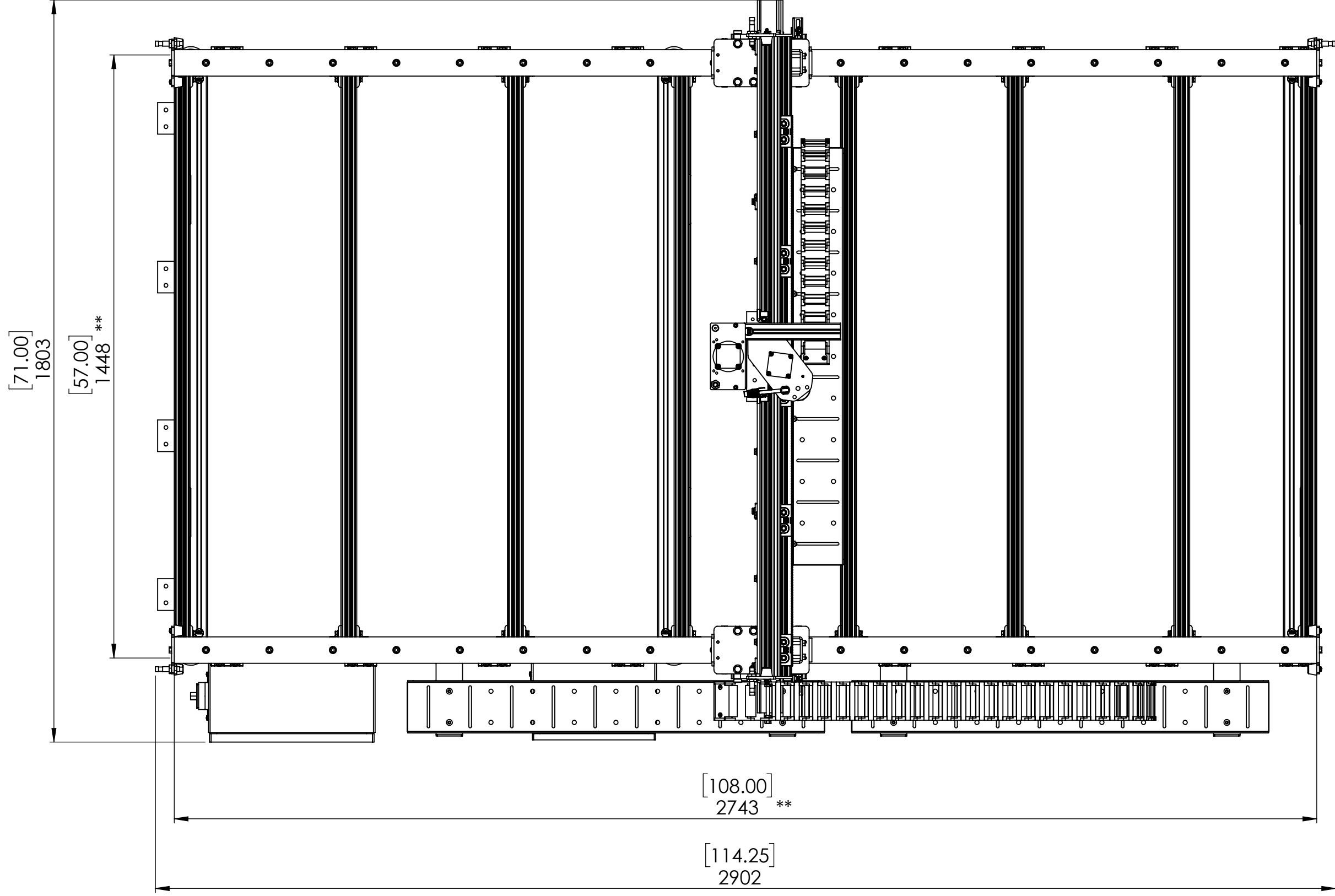


CRP4896 - 4' x 8' CNC Machine Kit (Footprint)

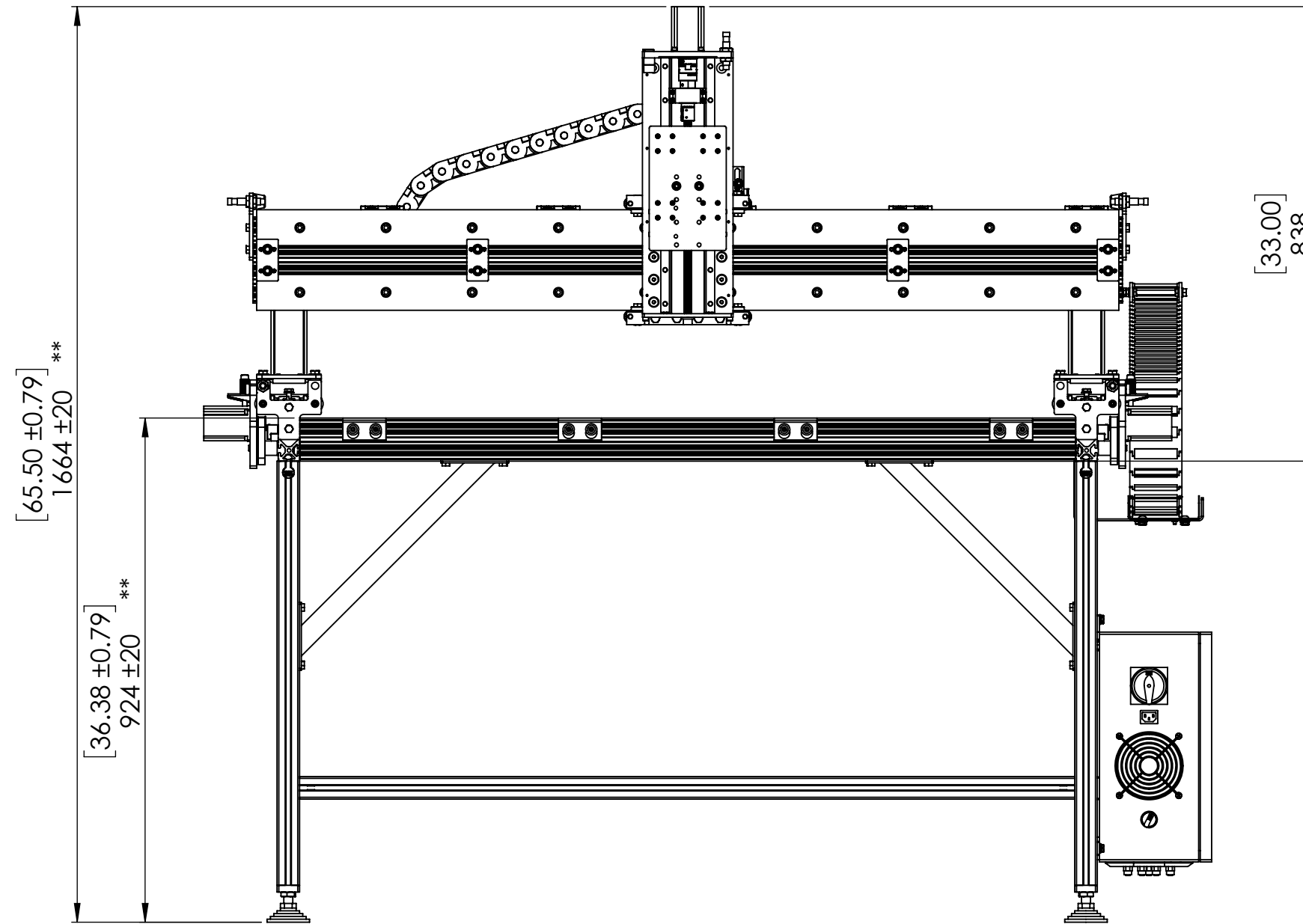


**Dimension to outside edges of extrusion, use this measurement if building your own leg assembly



Standard Series CNC Machine Kit

8" Z-Axis Travel



12" Travel Z-Axis will add 100mm (3.94") to top of machine
**Adjustment of leveling feet in leg kit will impact actual height dimension