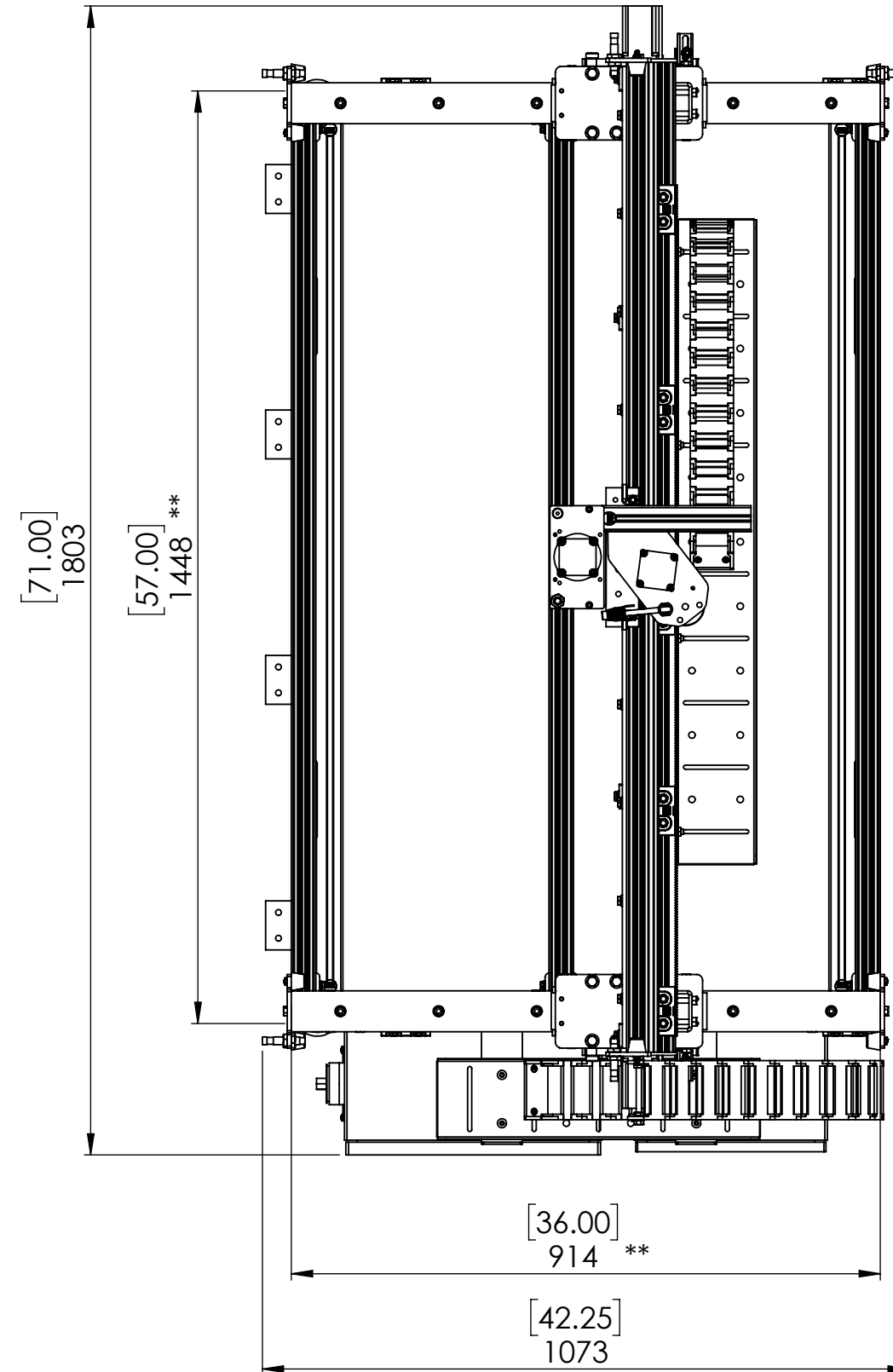


# CRP4824 - 4' x 2' CNC Machine Kit (Footprint)

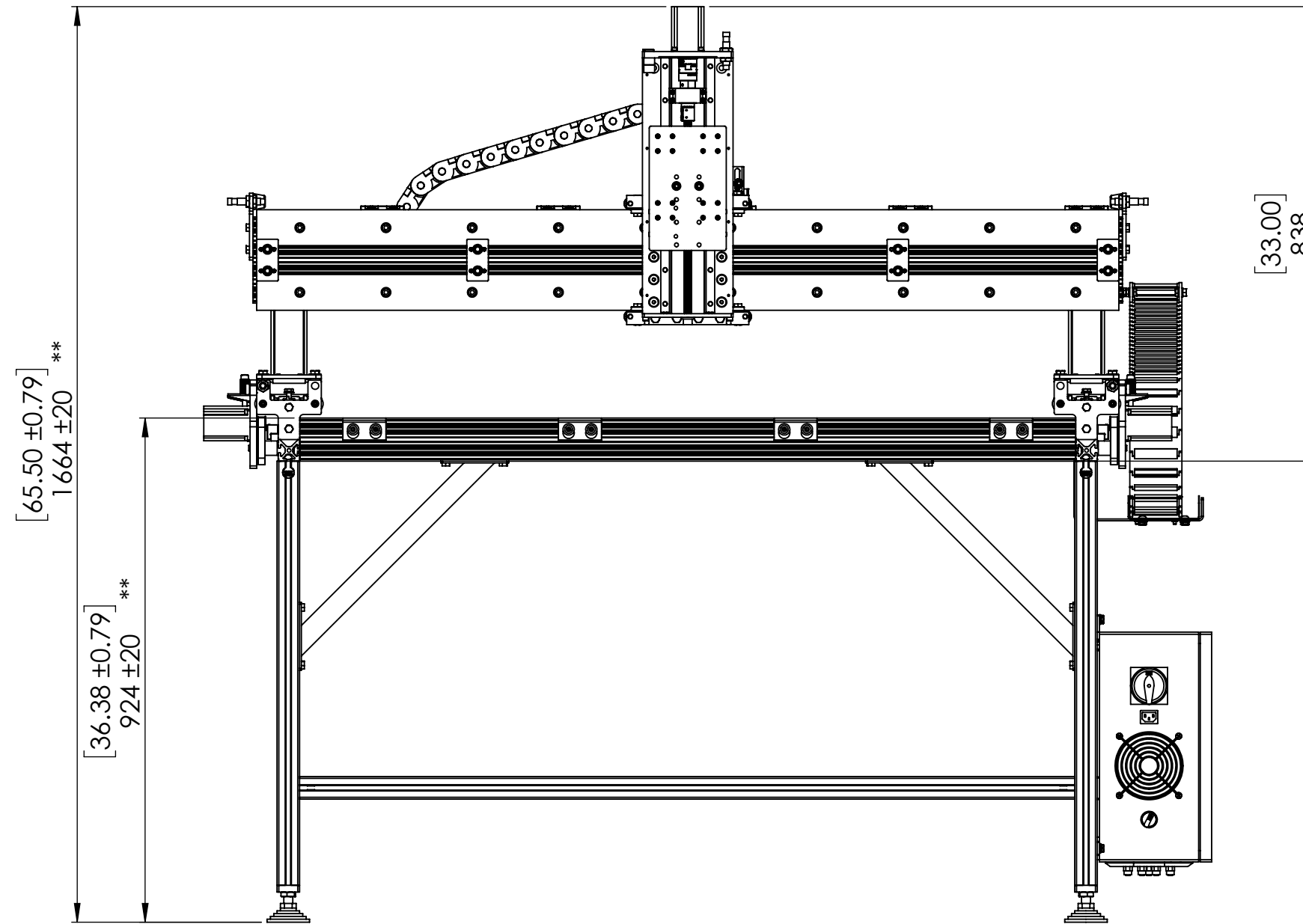


\*\*Dimension to outside edges of extrusion, use this measurement if building your own leg assembly



# Standard Series CNC Machine Kit

## 8" Z-Axis Travel



12" Travel Z-Axis will add 100mm (3.94") to top of machine  
\*\*Adjustment of leveling feet in leg kit will impact actual height dimension