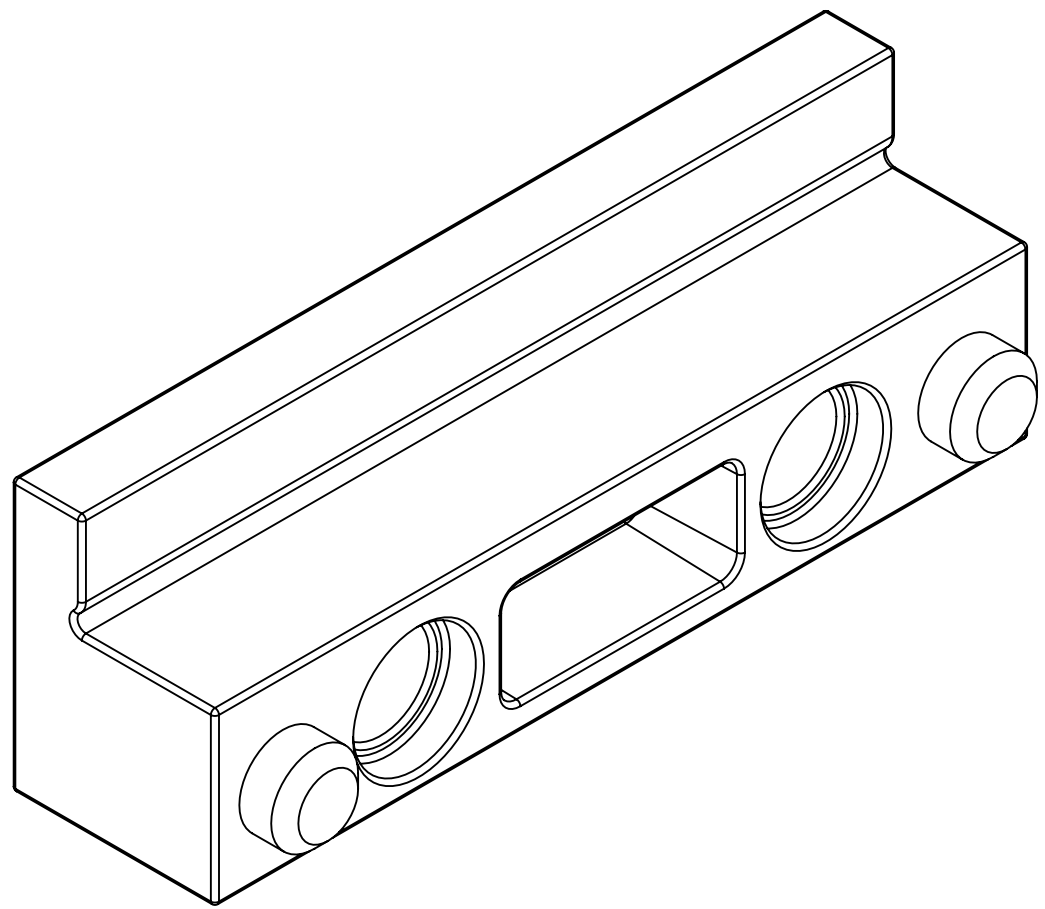
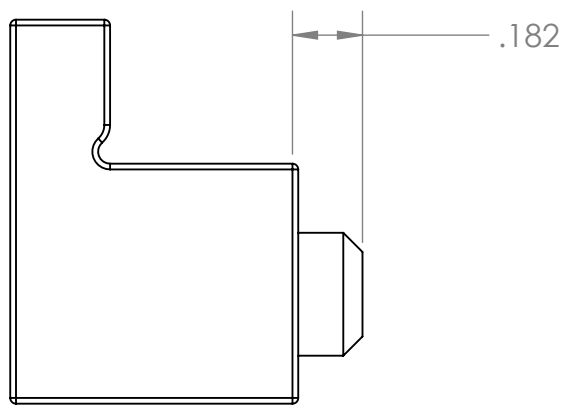
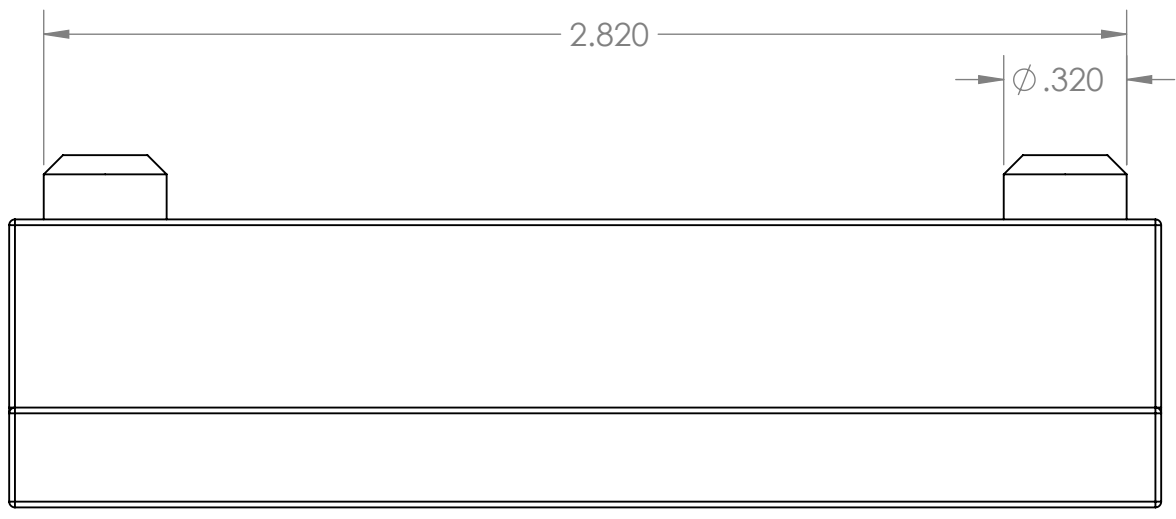


PROPRIETARY AND CONFIDENTIAL
 THE INFORMATION CONTAINED IN THIS DRAWING IS THE SOLE PROPERTY OF CNC ROUTER PARTS. ANY REPRODUCTION IN PART OR AS A WHOLE WITHOUT THE WRITTEN PERMISSION OF CNC ROUTER PARTS IS PROHIBITED.

		UNLESS OTHERWISE SPECIFIED:				NAME		DATE	
		DIMENSIONS ARE IN INCHES		DRAWN		MDB		12-01-14	
		TOLERANCES:		CHECKED		MDB		12-01-15	
		FRACTIONAL $\pm .05$		ENG APPR.					
		ANGULAR: MACH $\pm .05$ BEND $\pm .05$		MFG APPR.					
		TWO PLACE DECIMAL $\pm .01$		Q.A.					
		THREE PLACE DECIMAL $\pm .001$		COMMENTS:					
		INTERPRET GEOMETRIC TOLERANCING PER: ANSI							
		MATERIAL							
		FINISH							
NEXT ASSY		USED ON							
APPLICATION		DO NOT SCALE DRAWING							
				CNC ROUTER PARTS		CNC ROUTER PARTS		TITLE:	
								RACK CLAMP	
				SIZE		DWG. NO.		REV	
				B		CRP202-01			
				SCALE: 3:2		WEIGHT:		SHEET 1 OF 2	


8 7 6 5 4 3 2 1

D
C
B
A



D
C
B
A

PROPRIETARY AND CONFIDENTIAL
 THE INFORMATION CONTAINED IN THIS DRAWING IS THE SOLE PROPERTY OF CNC ROUTER PARTS. ANY REPRODUCTION IN PART OR AS A WHOLE WITHOUT THE WRITTEN PERMISSION OF CNC ROUTER PARTS IS PROHIBITED.

		UNLESS OTHERWISE SPECIFIED:		NAME	DATE	 CNC ROUTER PARTS TITLE: RACK CLAMP W/LOCATOR	
		DIMENSIONS ARE IN INCHES		DRAWN	MDB		12-01-14
		TOLERANCES:		CHECKED	MDB		12-01-15
		FRACTIONAL ± .05		ENG APPR.			
		ANGULAR: MACH ± .05 BEND ± .05		MFG APPR.			
		TWO PLACE DECIMAL ± .01		Q.A.			
		THREE PLACE DECIMAL ± .001		COMMENTS:			
		INTERPRET GEOMETRIC TOLERANCING PER: ANSI					
		MATERIAL					
		FINISH					
NEXT ASSY	USED ON						
APPLICATION		DO NOT SCALE DRAWING					
SIZE	DWG. NO.	REV					
B	CRP200-00C-L						
SCALE: 2:1	WEIGHT:	SHEET 2 OF 2					

8 7 6 5 4 3 2 1