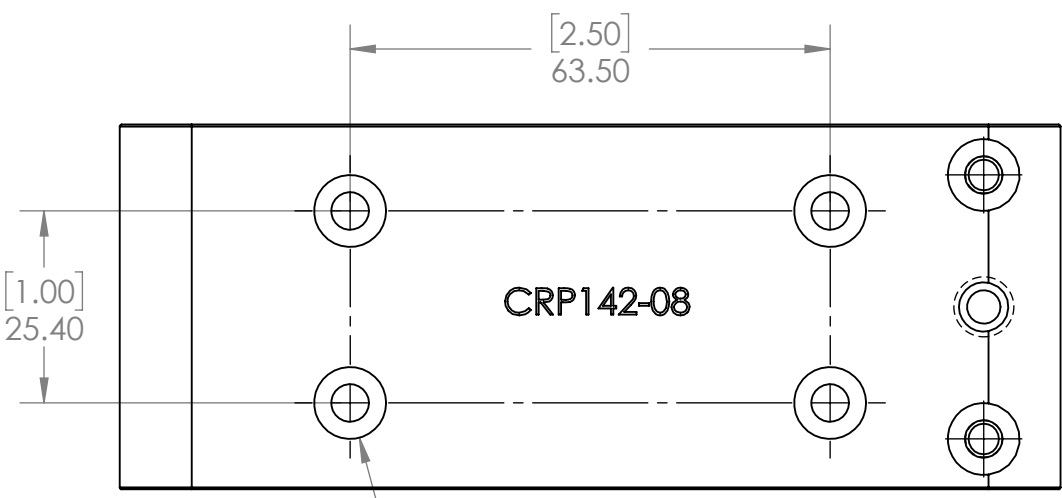
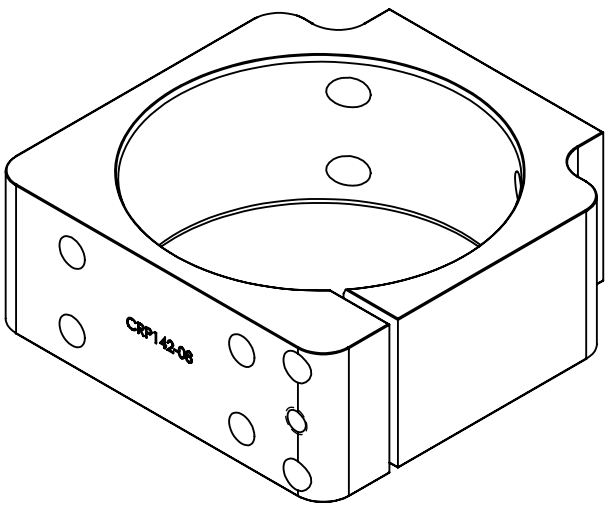
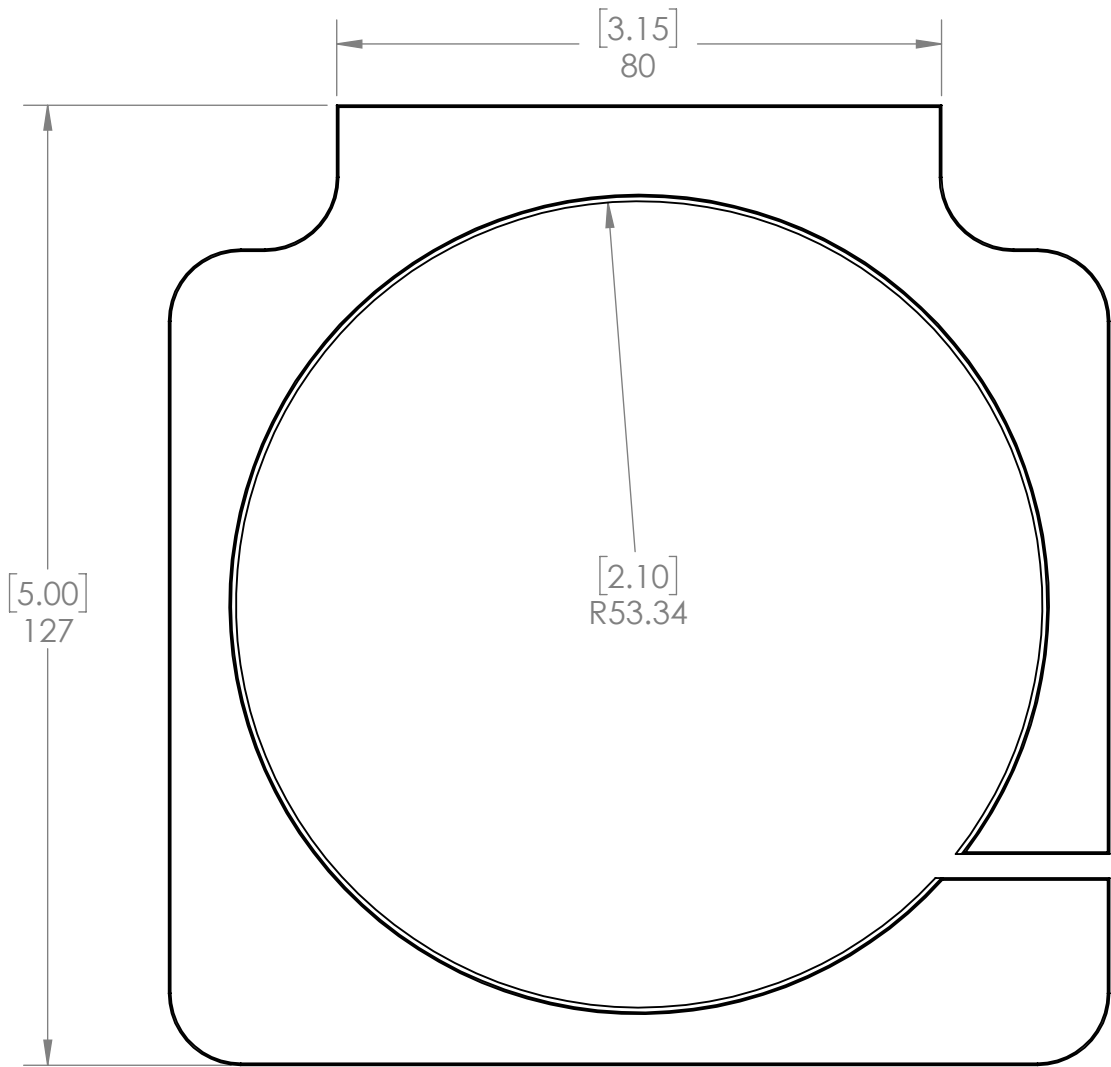


# CRP142-08 Router Mount



4X  $\phi$  4.98 [0.20] THRU ALL  
Counterbore for M5 Socket Head Screw

