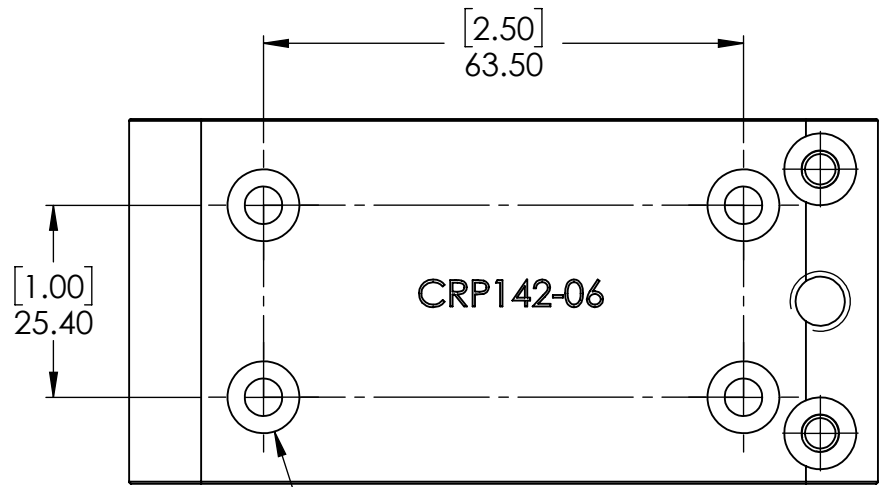
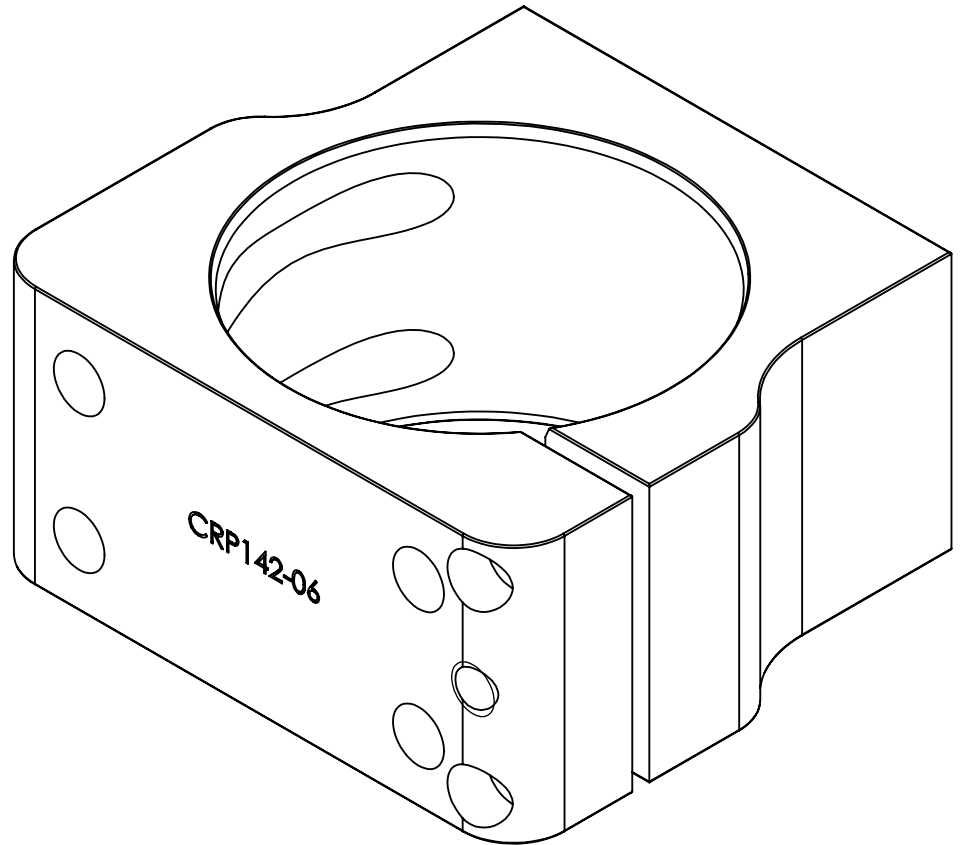
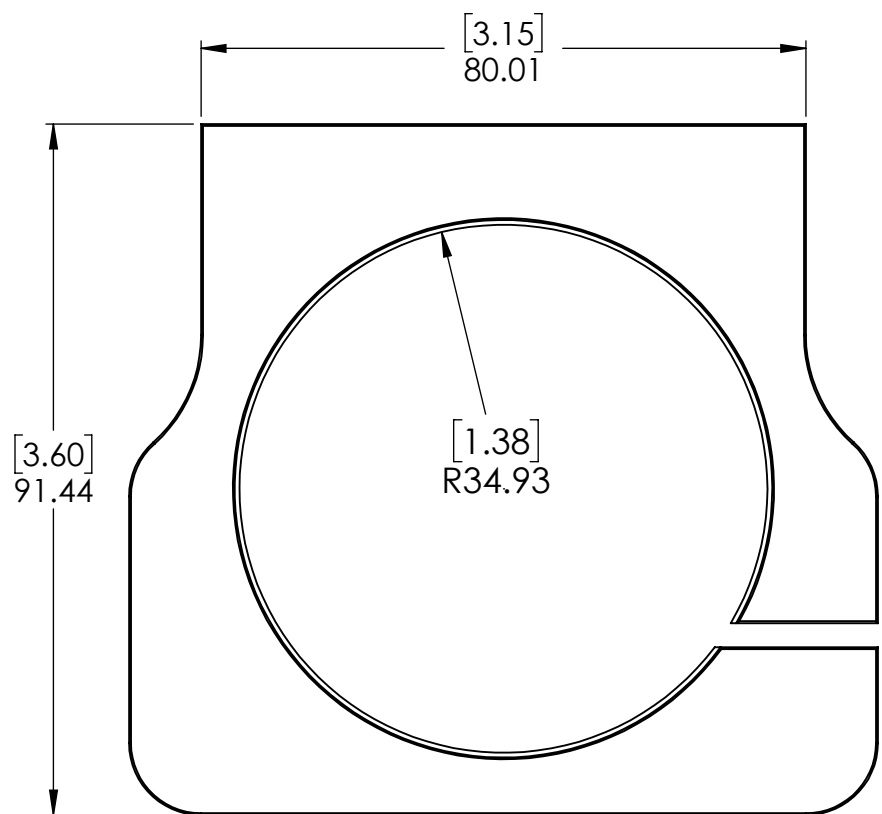


CRP142-06 Router Mount



4 x ϕ 4.98 [0.20] THRU ALL
Counterbore for M5 Socket Head Screw

