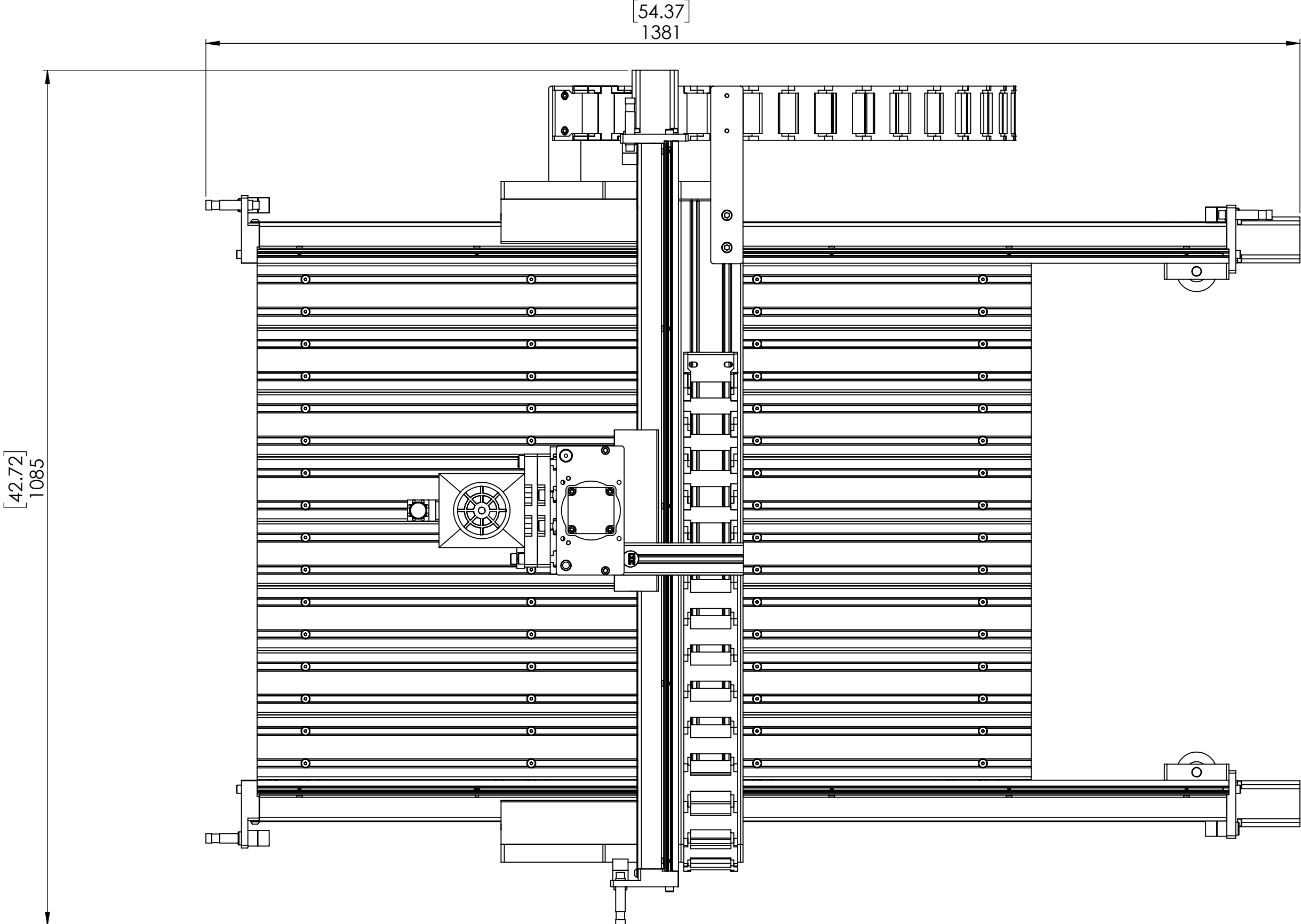
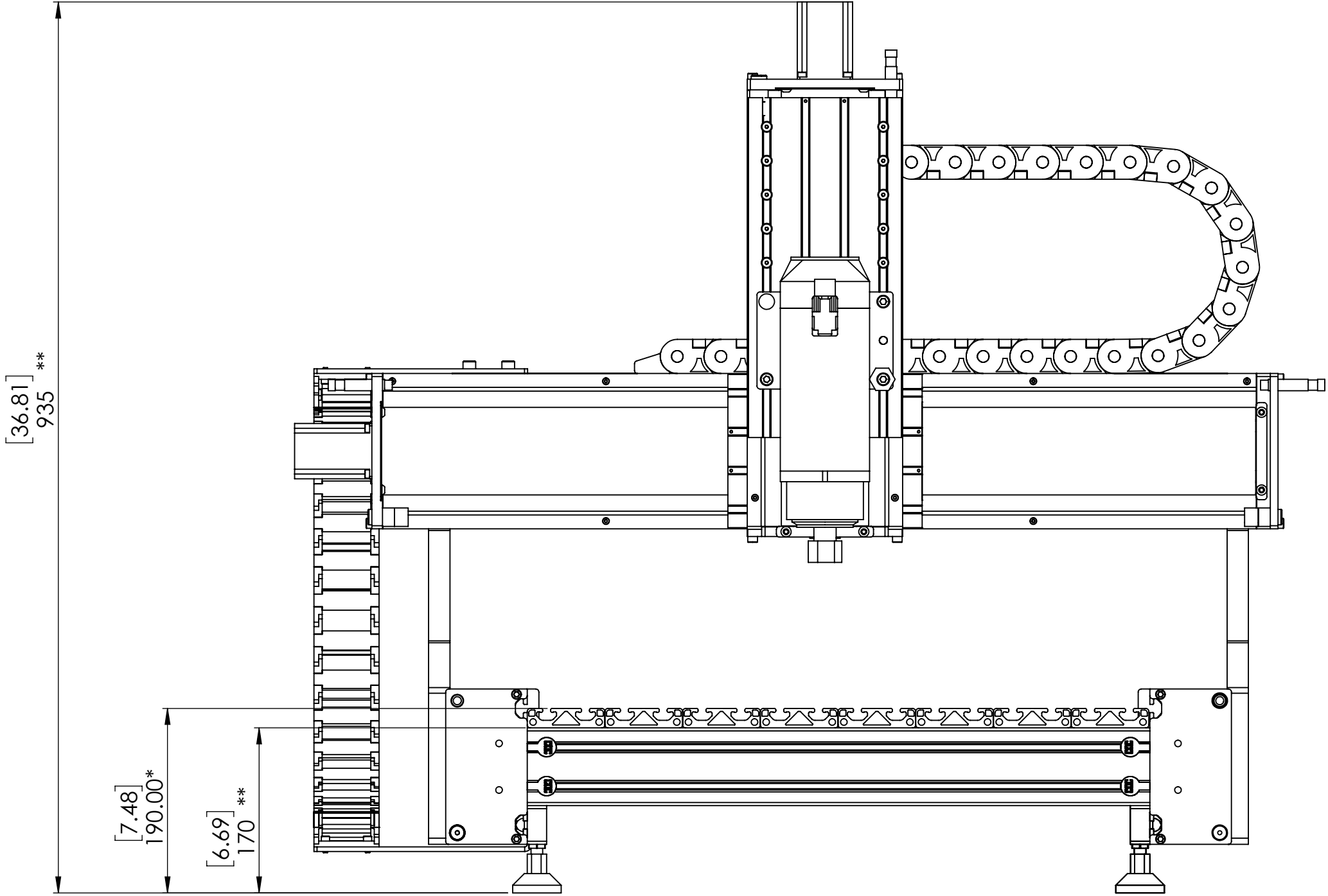


Benchtop PRO 2'x3' Top View



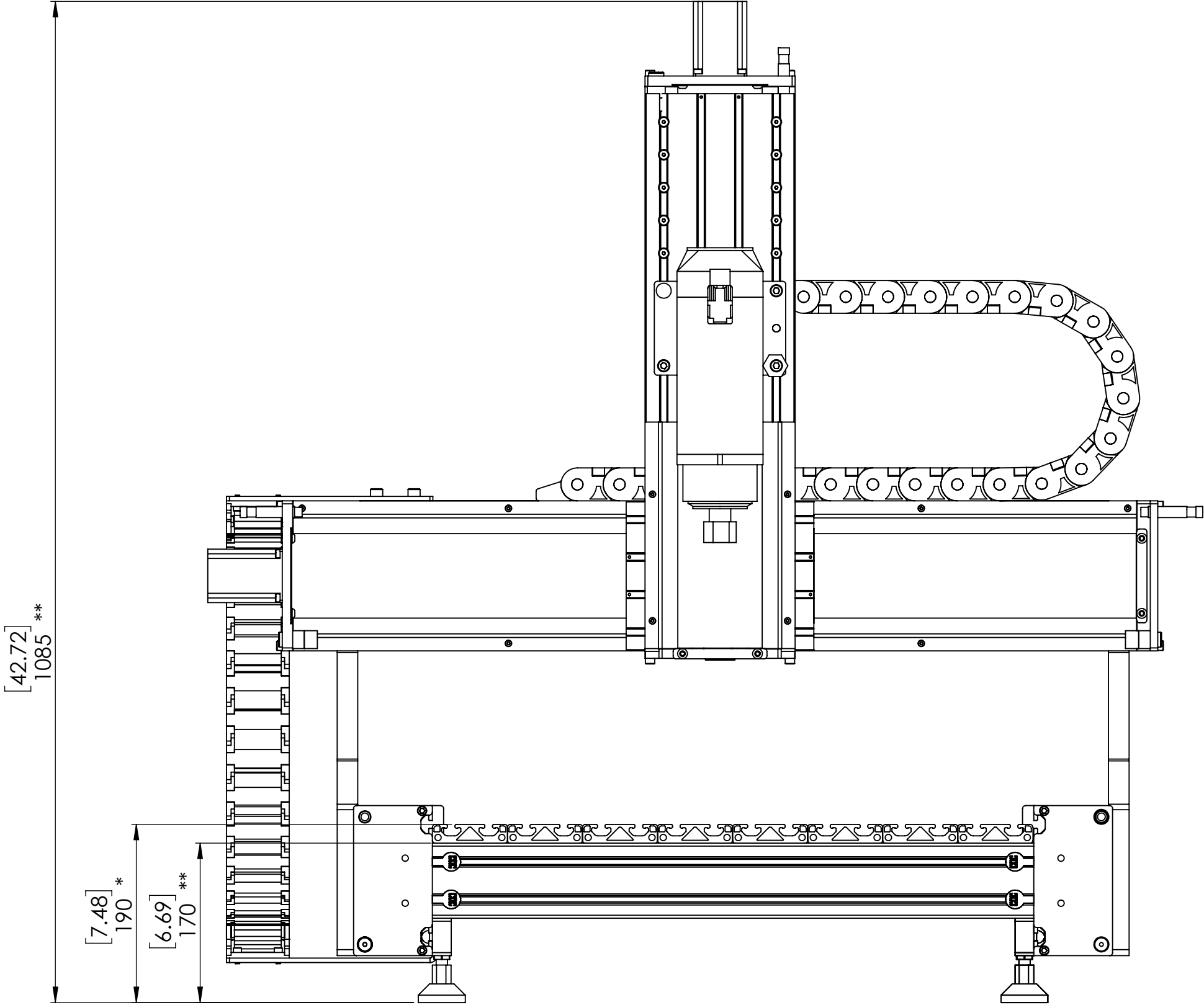
Benchtop PRO 2'x3' Front View



* Height with table extrusion

** Adjustment of leveling feet will impact actual height

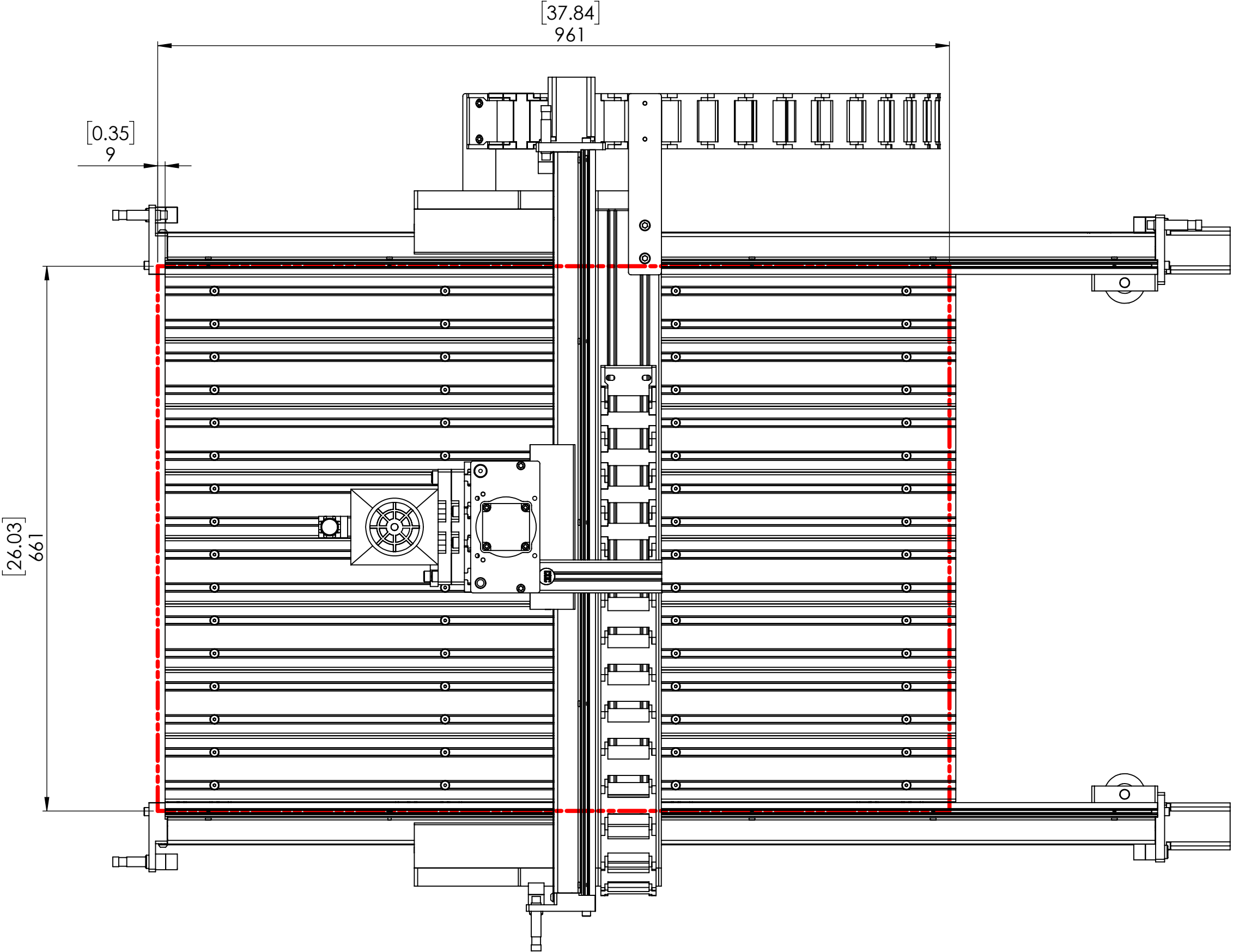
Benchtop PRO 2'x3' Extended Z



* Height with table extrusion

** Adjustment of leveling feet will impact actual height

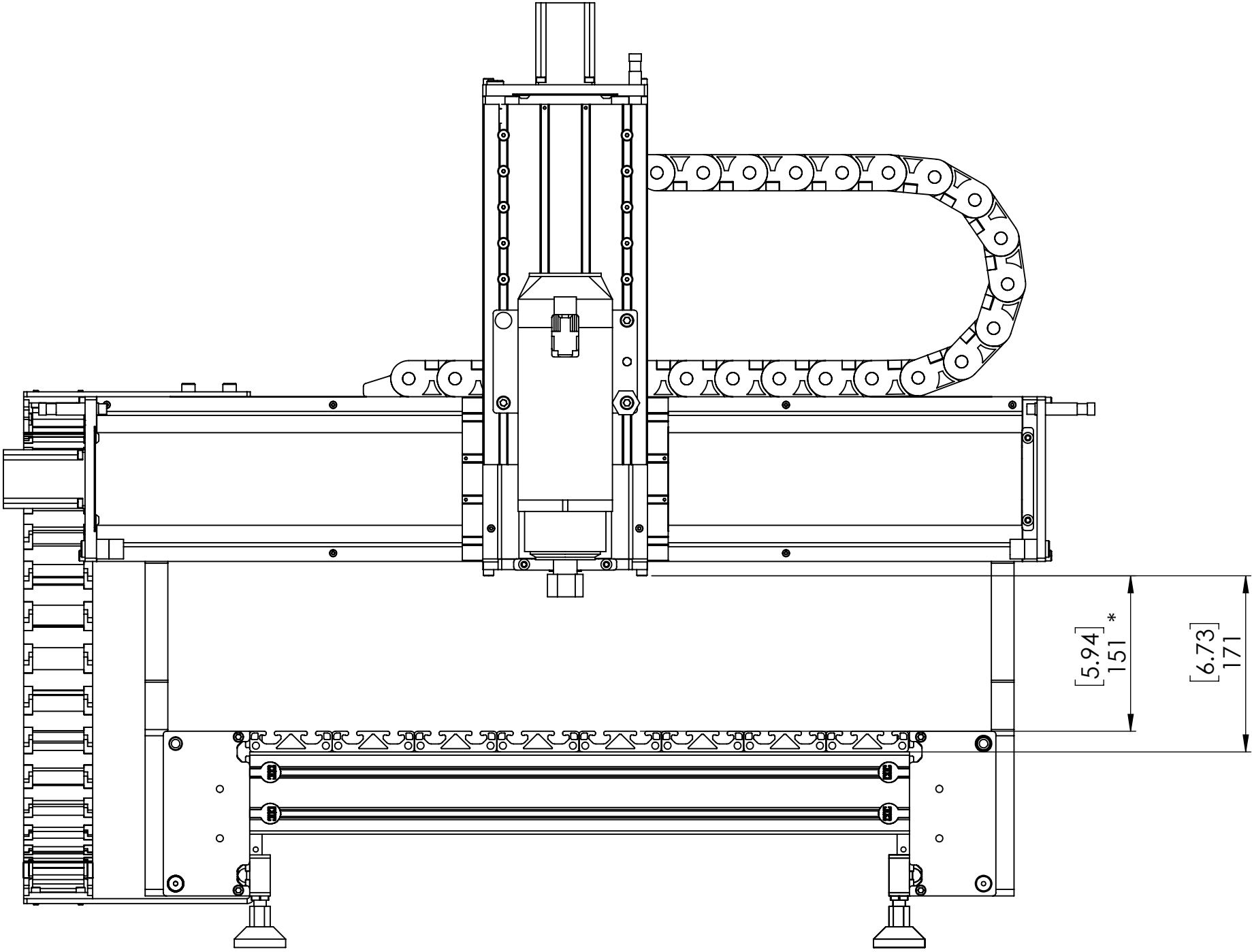
Benchtop PRO 2'x3' Work Area



*Work area dimensions shown in relation to center of tool

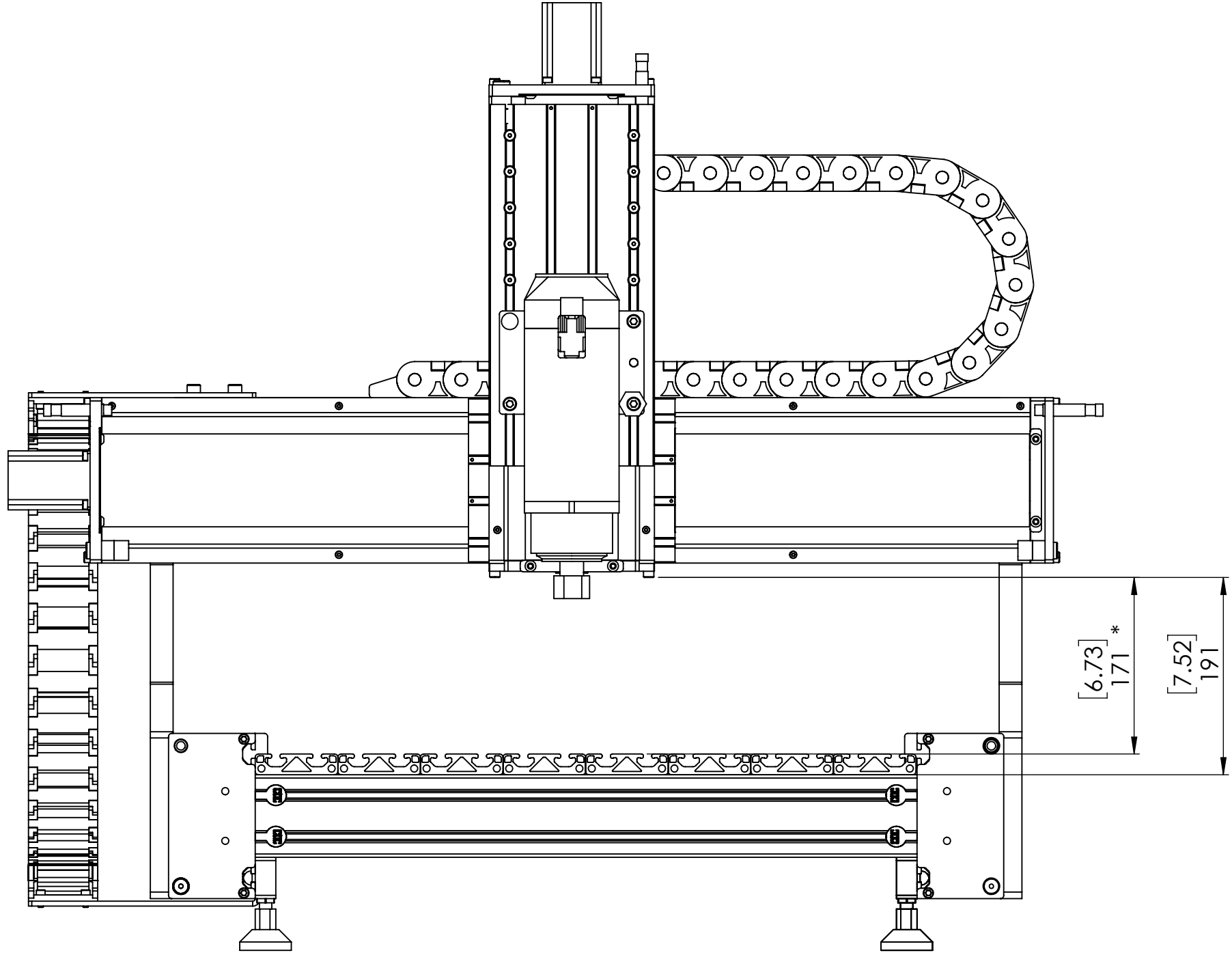


Benchtop PRO 2'x3' High Table Work Area



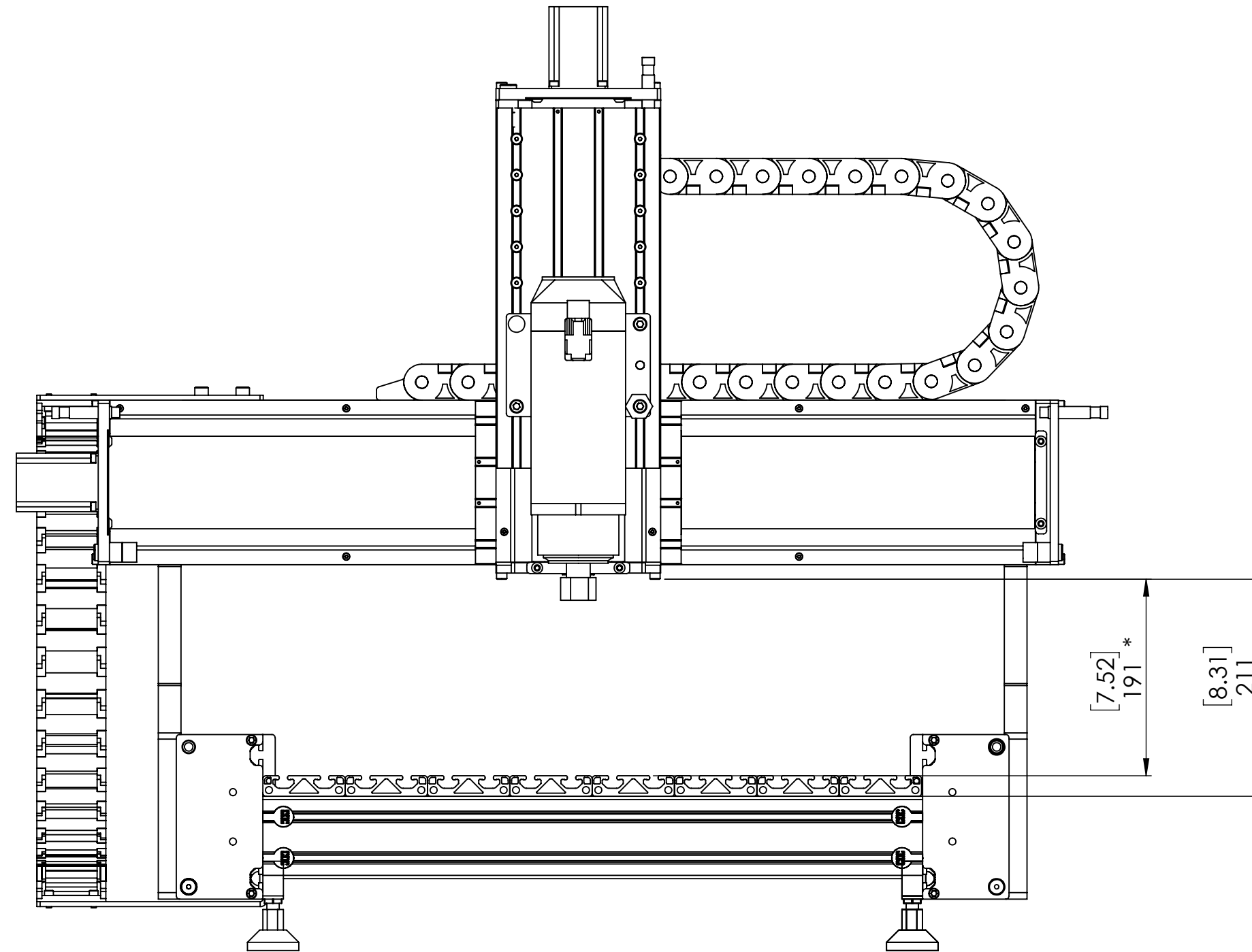
*Height with table top extrusion

Benchtop PRO 2'x3' Mid Table Work Area



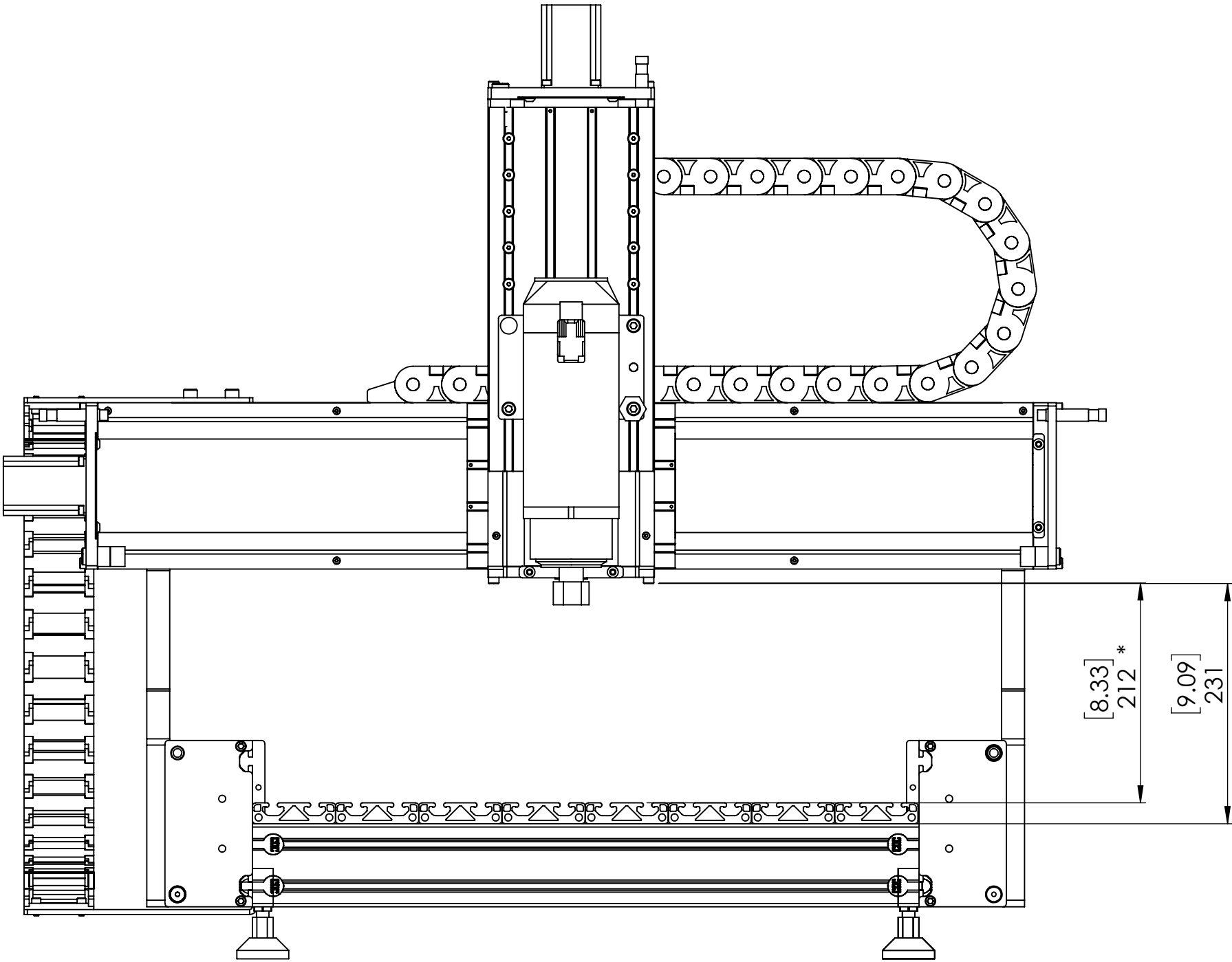
*Height with table top extrusion

Benchtop PRO 2'x3' Low Table Work Area



*Height with table top extrusion

Benchtop PRO 2'x3' Lowest Table Work Area



*Height with table top extrusion

