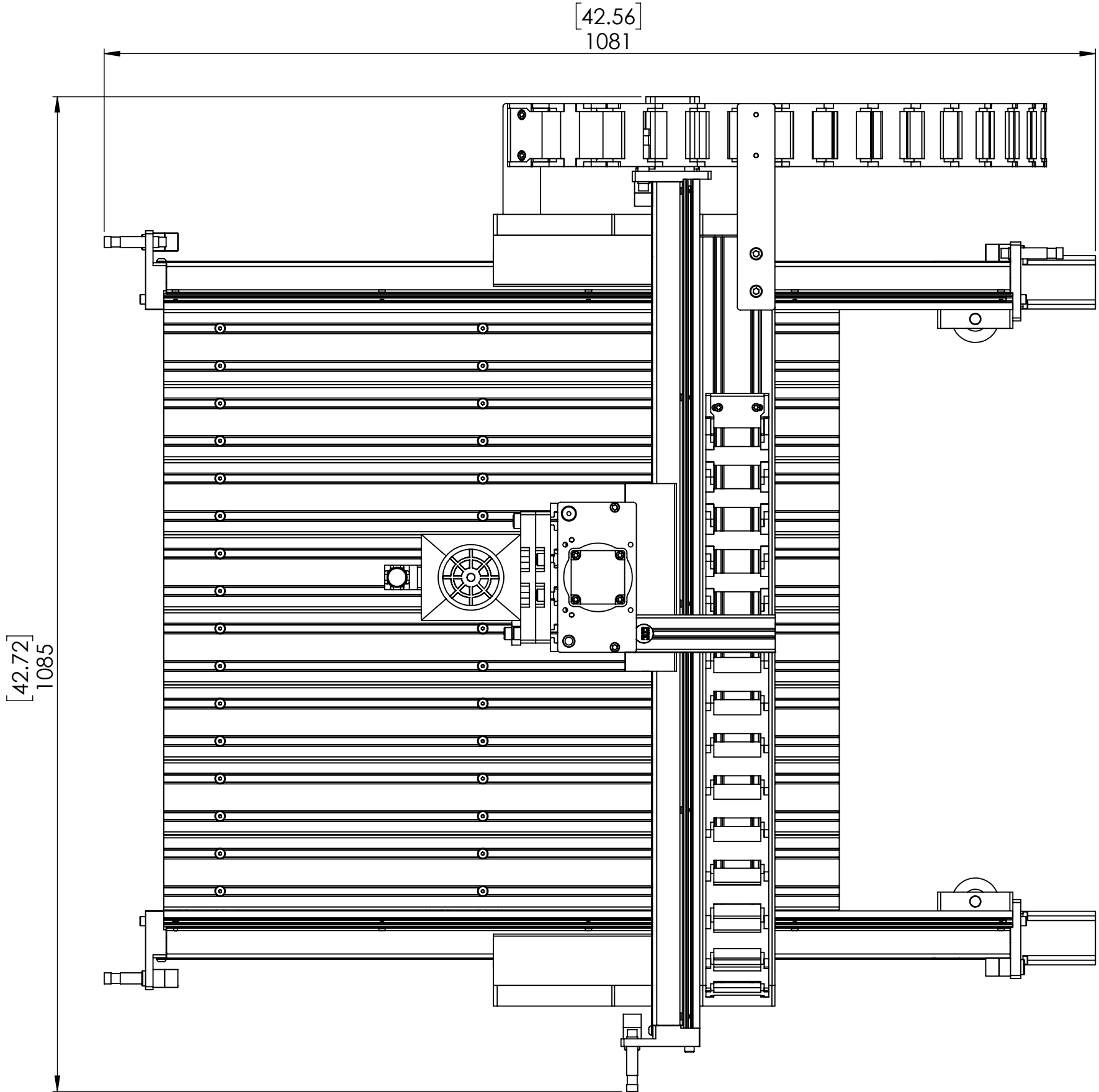
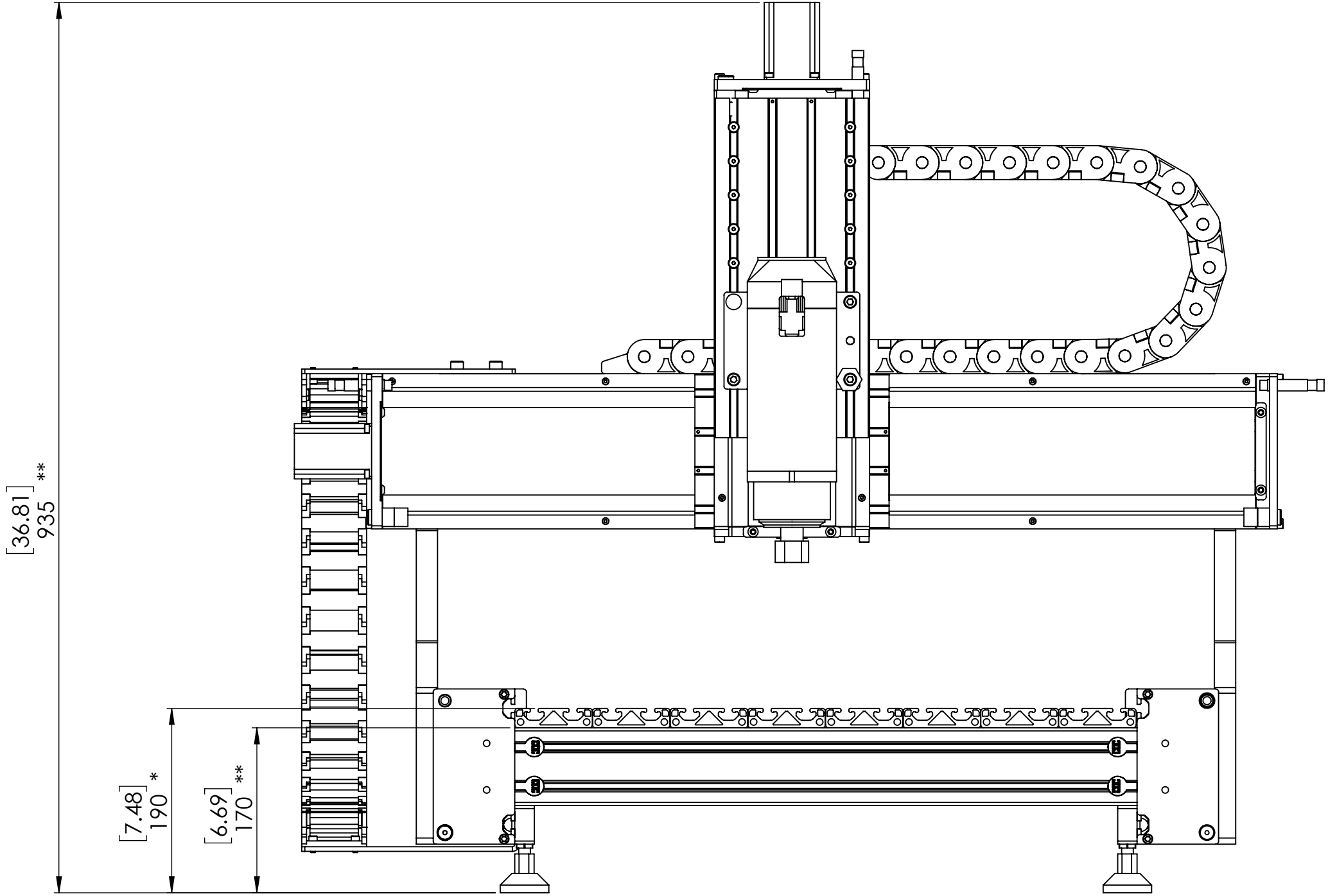


Benchtop PRO 2'x2' Top View

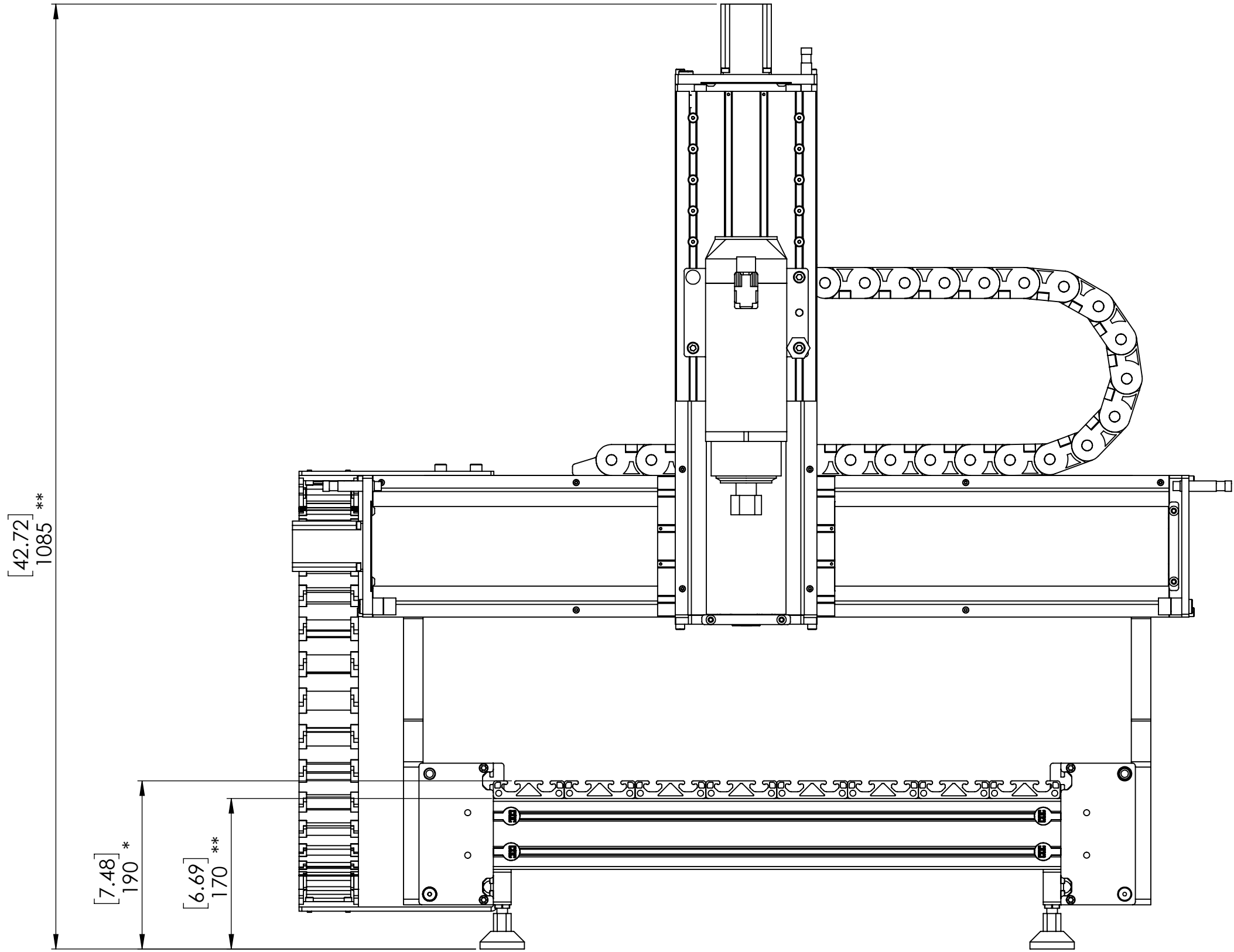


Benchtop PRO 2'x2' Front View



*Height with table extrusion
** Adjustament of leveling feet will impact actual height

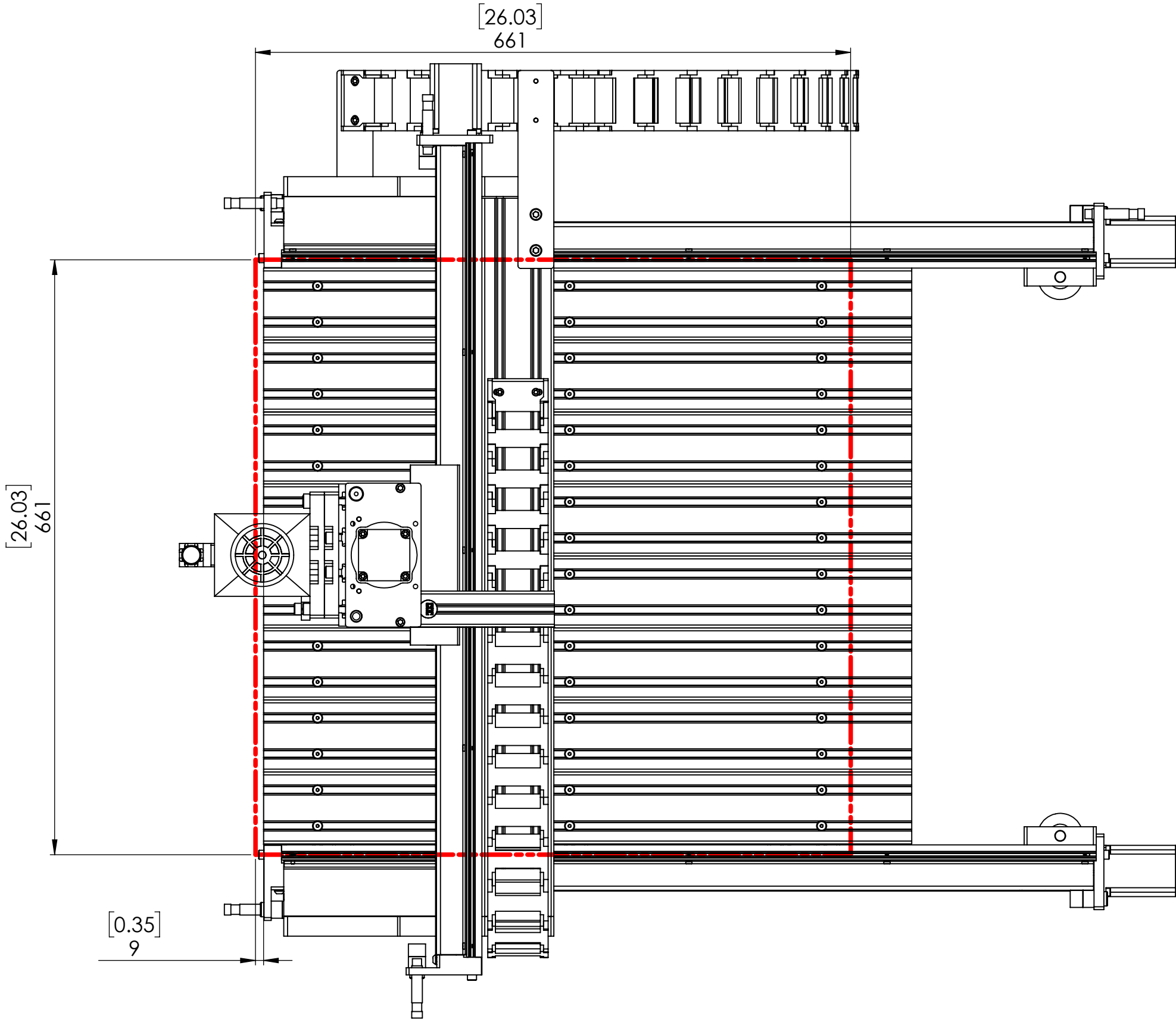
Benchtop PRO 2'x2' Extended Z



*Height with table extrusion

** Adjustment of leveling feet will impact actual height

Benchtop PRO 2'x2' Work Area

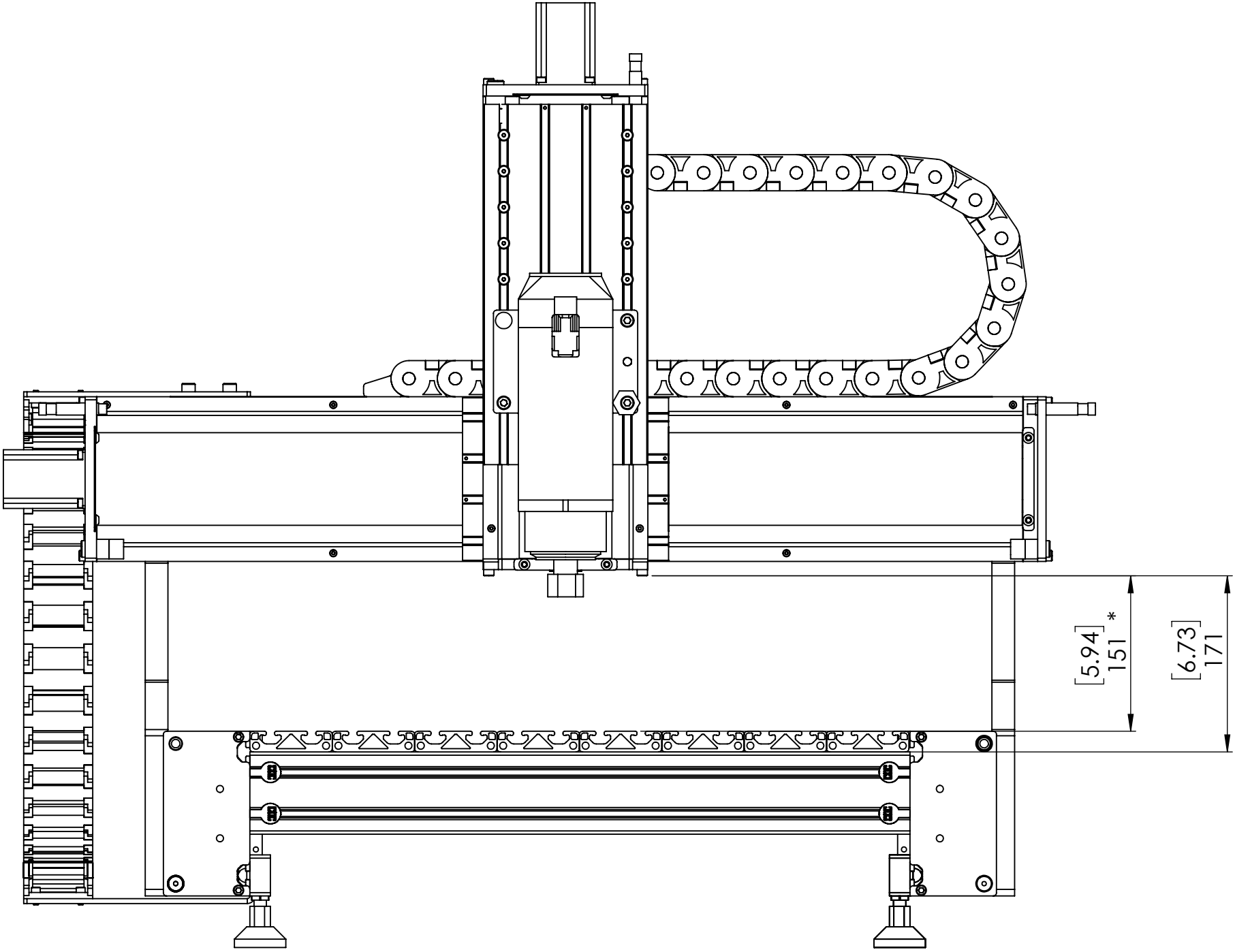


*Work area dimensions shown in relation to center of tool

Dimensions: [in] mm

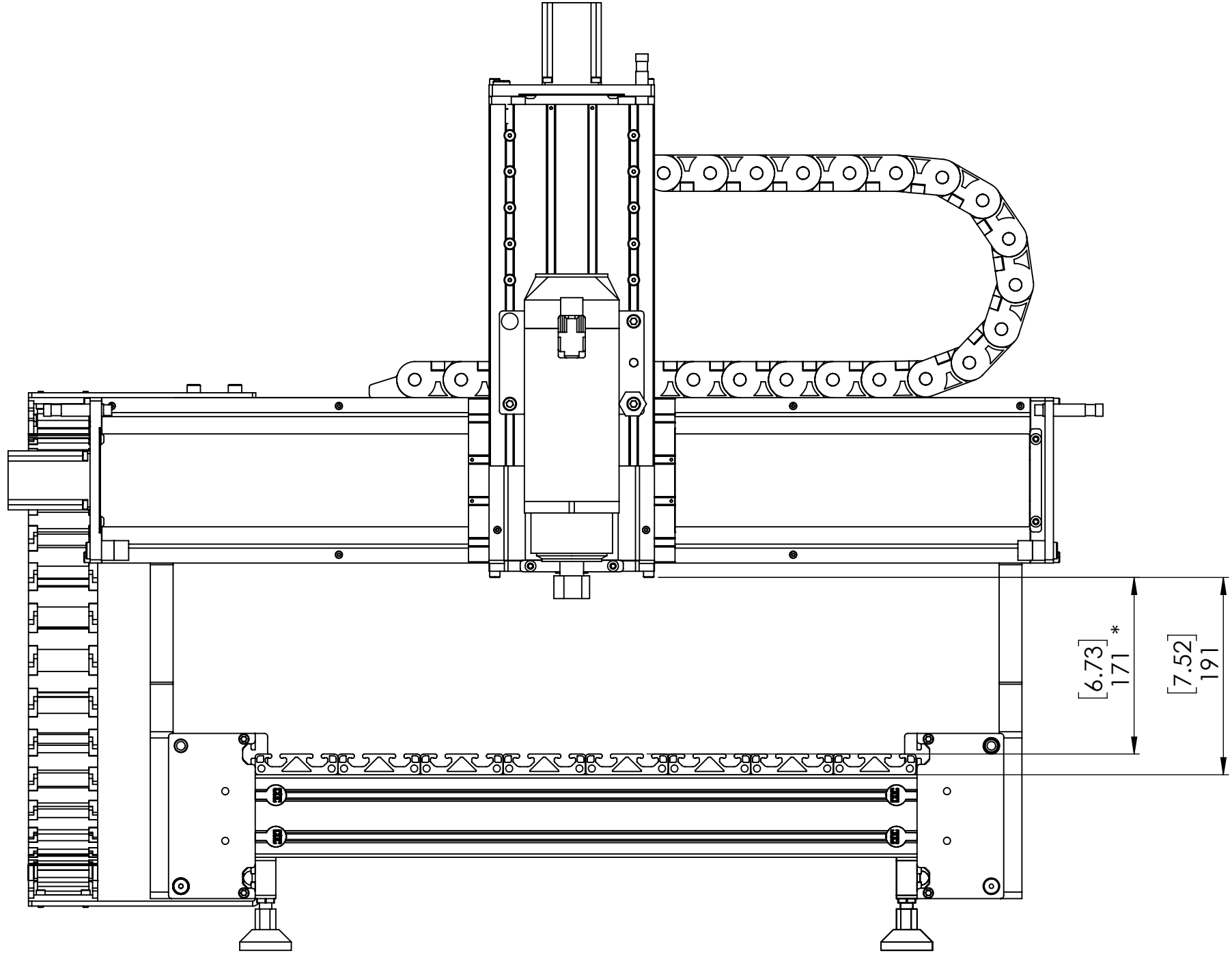
The AVID logo is in a black box. Below it are three red PCB components with white traces.

Benchtop PRO 2'x2' High Table Work Area



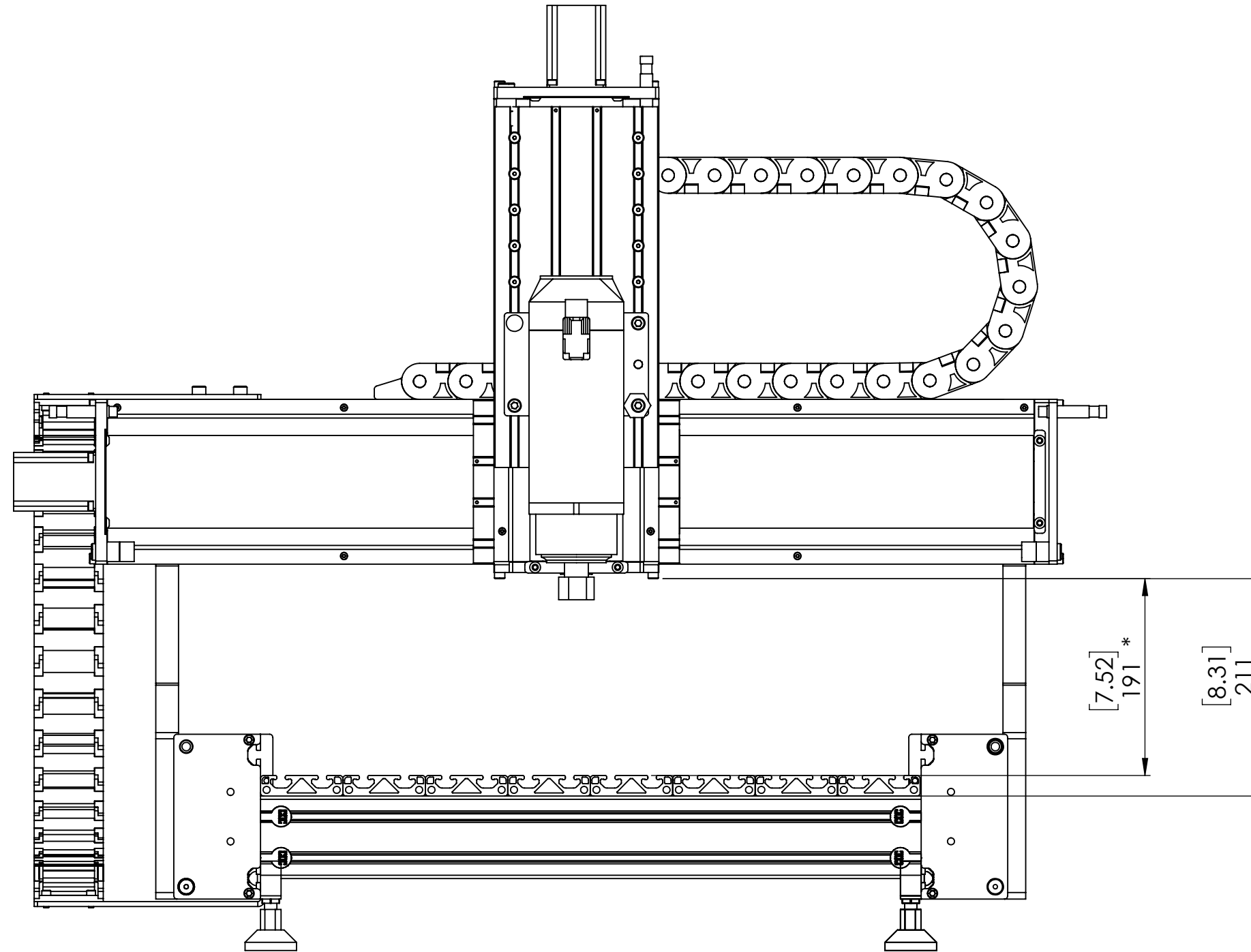
*Height with table top extrusion

Benchtop PRO 2'x2' Mid Table Work Area



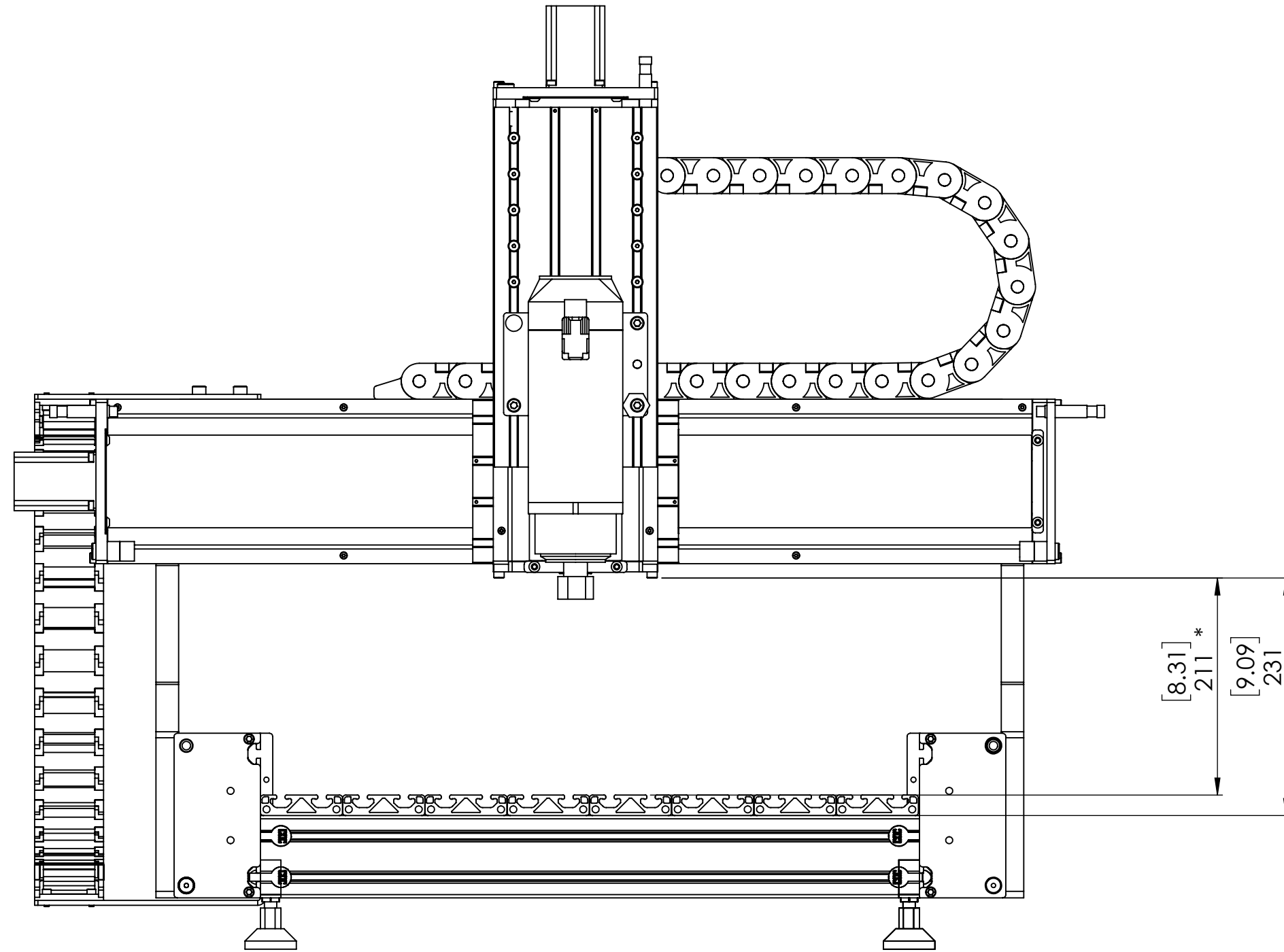
*Height with table top extrusion

Benchtop PRO 2'x2' Low Table Work Area



*Height with table top extrusion

Benchtop PRO 2'x2' Lowest Table Work Area



*Height with table top extrusion