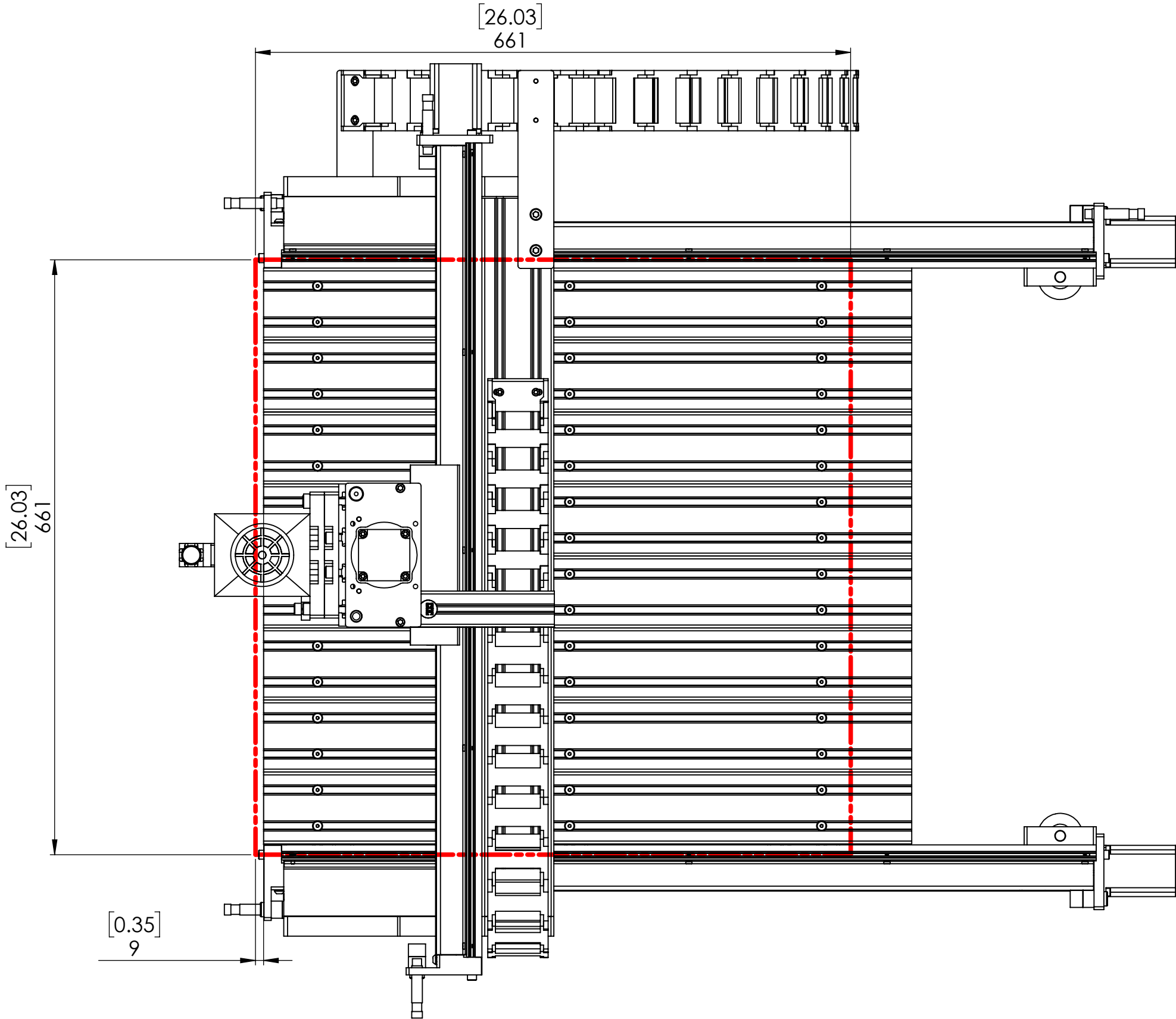


Benchtop PRO 2'x2' Work Area

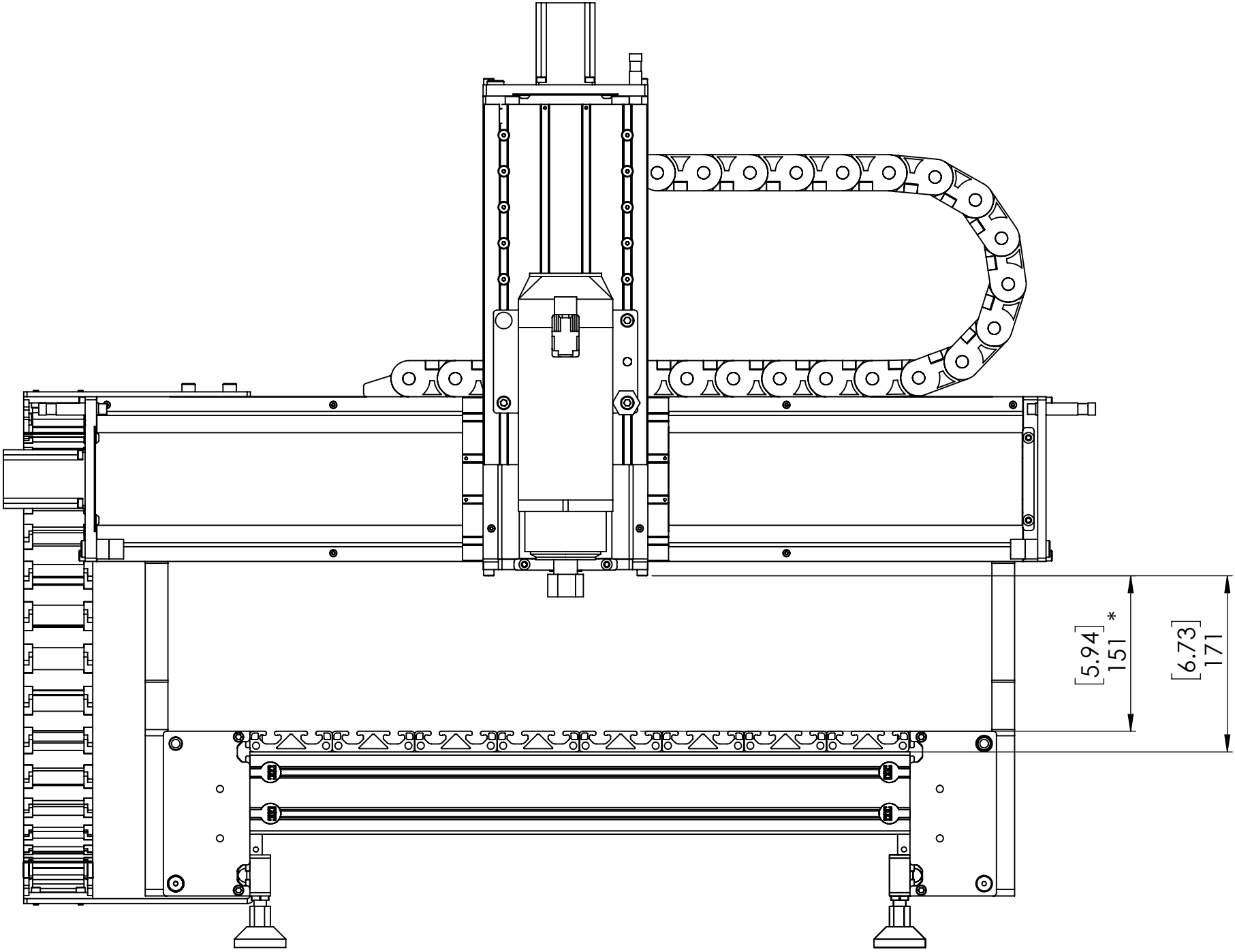


*Work area dimensions shown in relation to center of tool

Dimensions: [in] mm

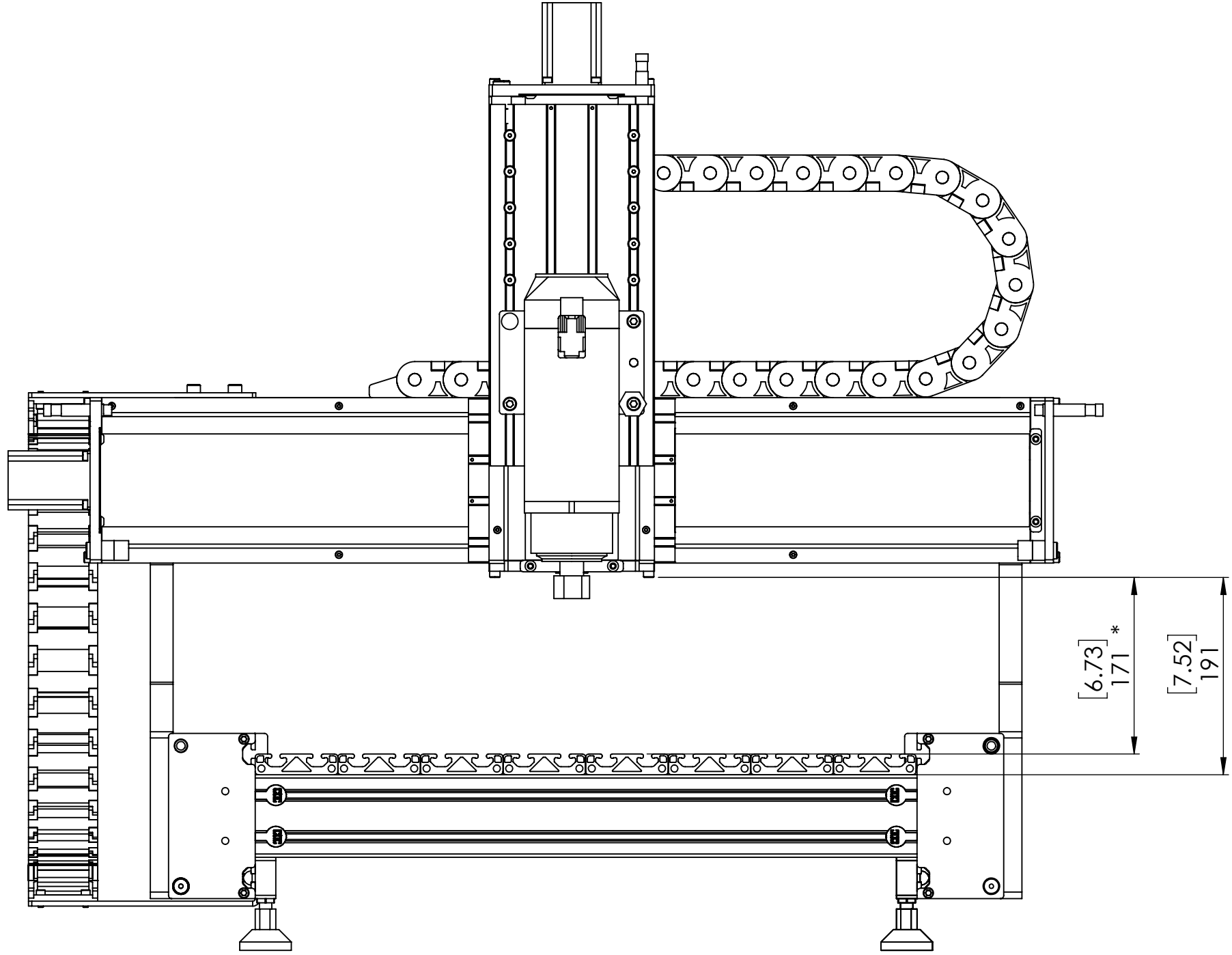
The AVID logo is shown in a black box. Below it are three red PCB components, likely the work area components, arranged horizontally.

Benchtop PRO 2'x2' High Table Work Area



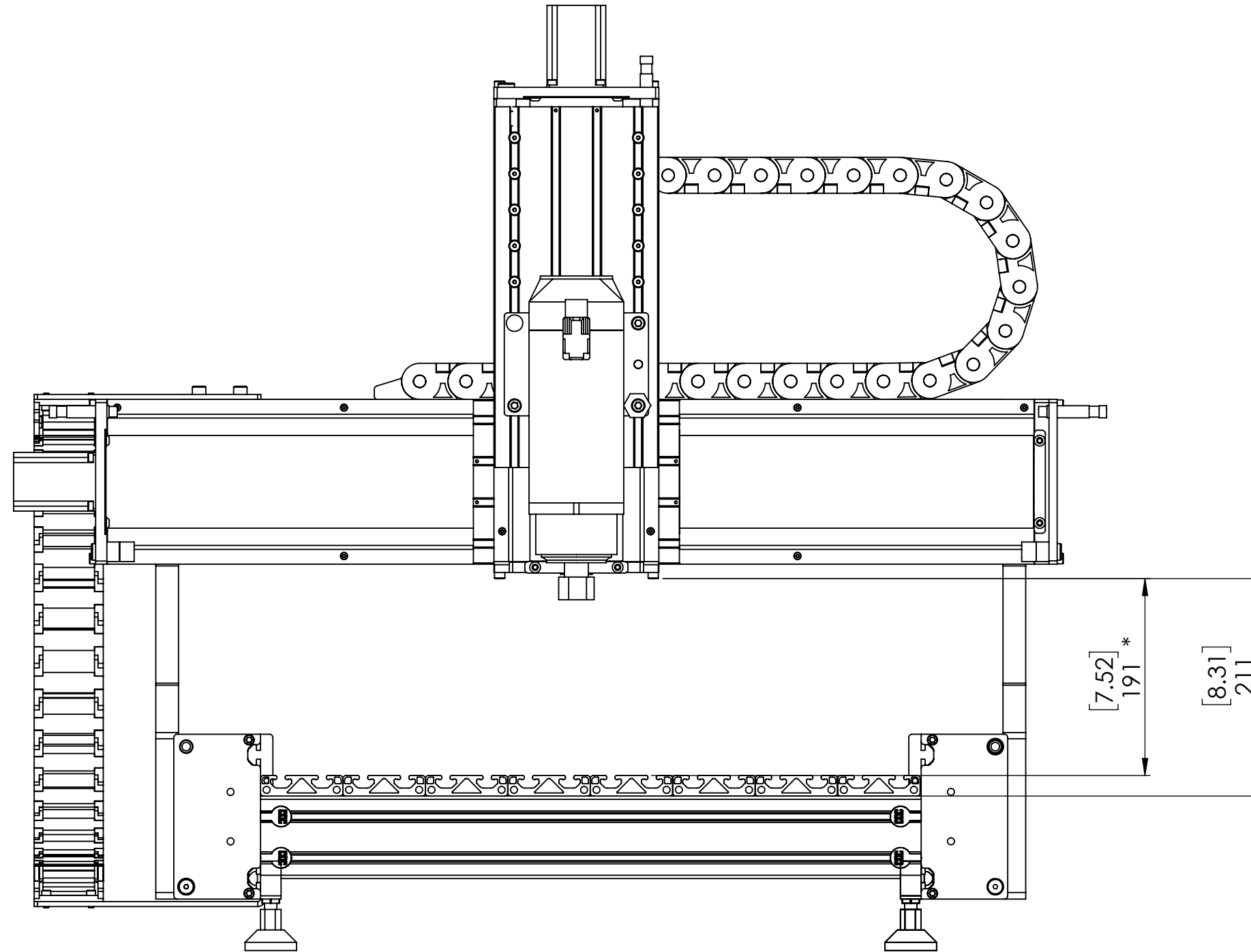
*Height with table top extrusion

Benchtop PRO 2'x2' Mid Table Work Area



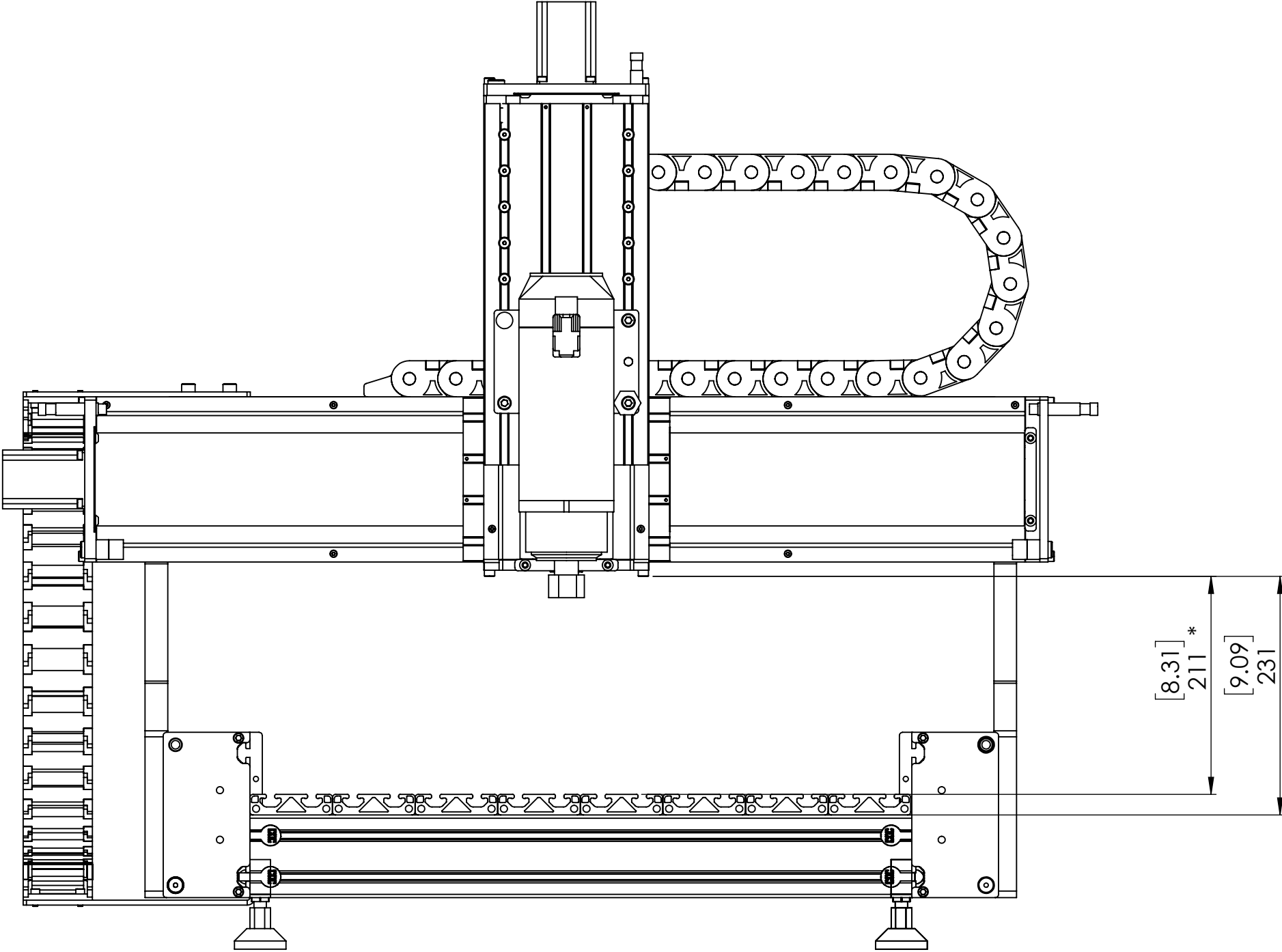
*Height with table top extrusion

Benchtop PRO 2'x2' Low Table Work Area



*Height with table top extrusion

Benchtop PRO 2'x2' Lowest Table Work Area



*Height with table top extrusion