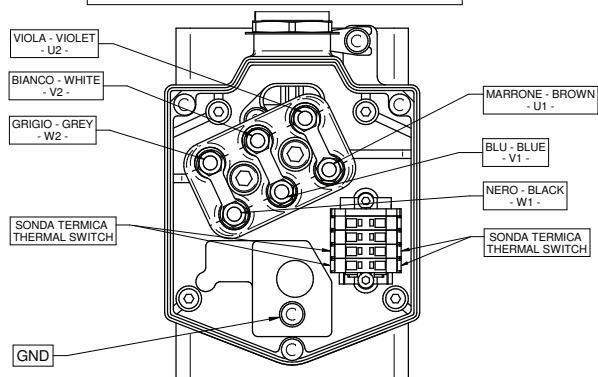


COLLEGAMENTO A TRIANGOLO "D" 220V
DELTA "D" CONNECTION 220V



CONNECTOR TYPE	M23 6 poles MALE														
CONNECTOR LAYOUT															
PINOUT	<table border="1"> <tr><td>1</td><td>THERMAL SWITCH</td></tr> <tr><td>2</td><td>THERMAL SWITCH</td></tr> <tr><td>3</td><td>GND</td></tr> <tr><td>4</td><td>U PHASE MOTOR</td></tr> <tr><td>5</td><td>V PHASE MOTOR</td></tr> <tr><td>6</td><td>W PHASE MOTOR</td></tr> <tr><td>Case</td><td>SHIELD</td></tr> </table>	1	THERMAL SWITCH	2	THERMAL SWITCH	3	GND	4	U PHASE MOTOR	5	V PHASE MOTOR	6	W PHASE MOTOR	Case	SHIELD
1	THERMAL SWITCH														
2	THERMAL SWITCH														
3	GND														
4	U PHASE MOTOR														
5	V PHASE MOTOR														
6	W PHASE MOTOR														
Case	SHIELD														

Controlato / Checked by	Firma / Signature	Data / Date			
Disegnato / Designed by			Rev	Data / Date	Firma / Signature
					N° Modifica / Change ID
				Descrizione ultima modifica / Last change description	
				Denominazione / Item Name	
				MOTM S-1 3/18 24 ER20 DX CC BT	
				Scala / Scale	Codice / Item ID
				1,25:1	29L0498858F
				Rev	Status
					Tav. N. di N.
					2/2