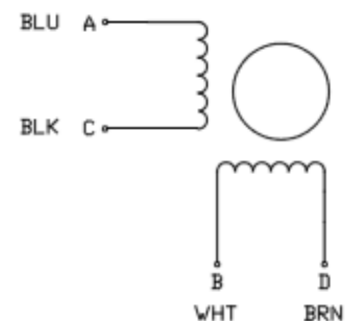


STEPPING MOTORS TYPE 85BYGH100B-04

GENERAL SPECIFICATIONS		ELECTRICAL SPECIFICATIONS		WIRING DIAGRAM
STEP ANGLE	1.8°±5%	VOLTAGE	1.55V	
PHASE	2	CURRENT	7A	
INSULATION RESISTANCE	100MΩ(500VDC)	INDUCTANCE	2mh	
CLASS OF INSULATION	B	RESISTANCE	0.31Ω	
WEIGHT	3Kg	HOLDING TORQUE	6.8N.m	



Units :mm

