

1

2

3

4

5

6

7

8

RevNo	Revision note	Date	Signature	Checked
-------	---------------	------	-----------	---------

A

B

C

D

E

F

A

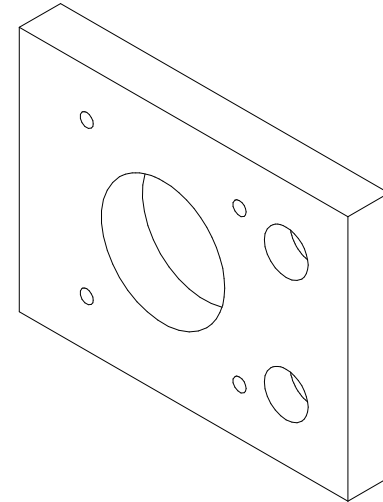
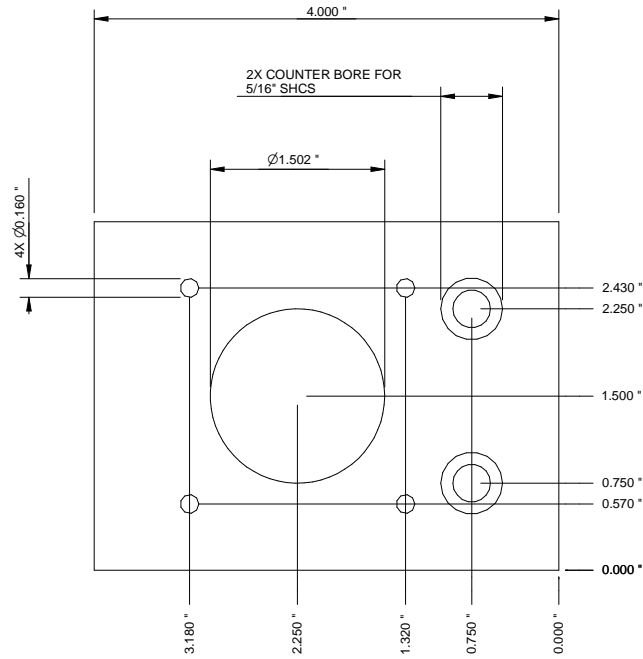
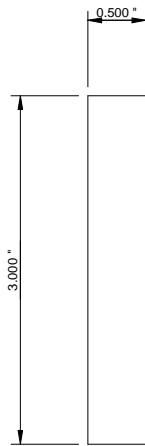
B


C

D

E

F



Itemref	Quantity	Title/Name, designation, material, dimension etc			Article No./Reference	
Drawn by Rajagopalan	Checked by	Approved by - date	File name	Date	Scale	
NEMA 23 MOTOR MOUNT			 CNC Router Parts			
			CRP106-01	Edition	Sheet	

1

2

3

6

7

8