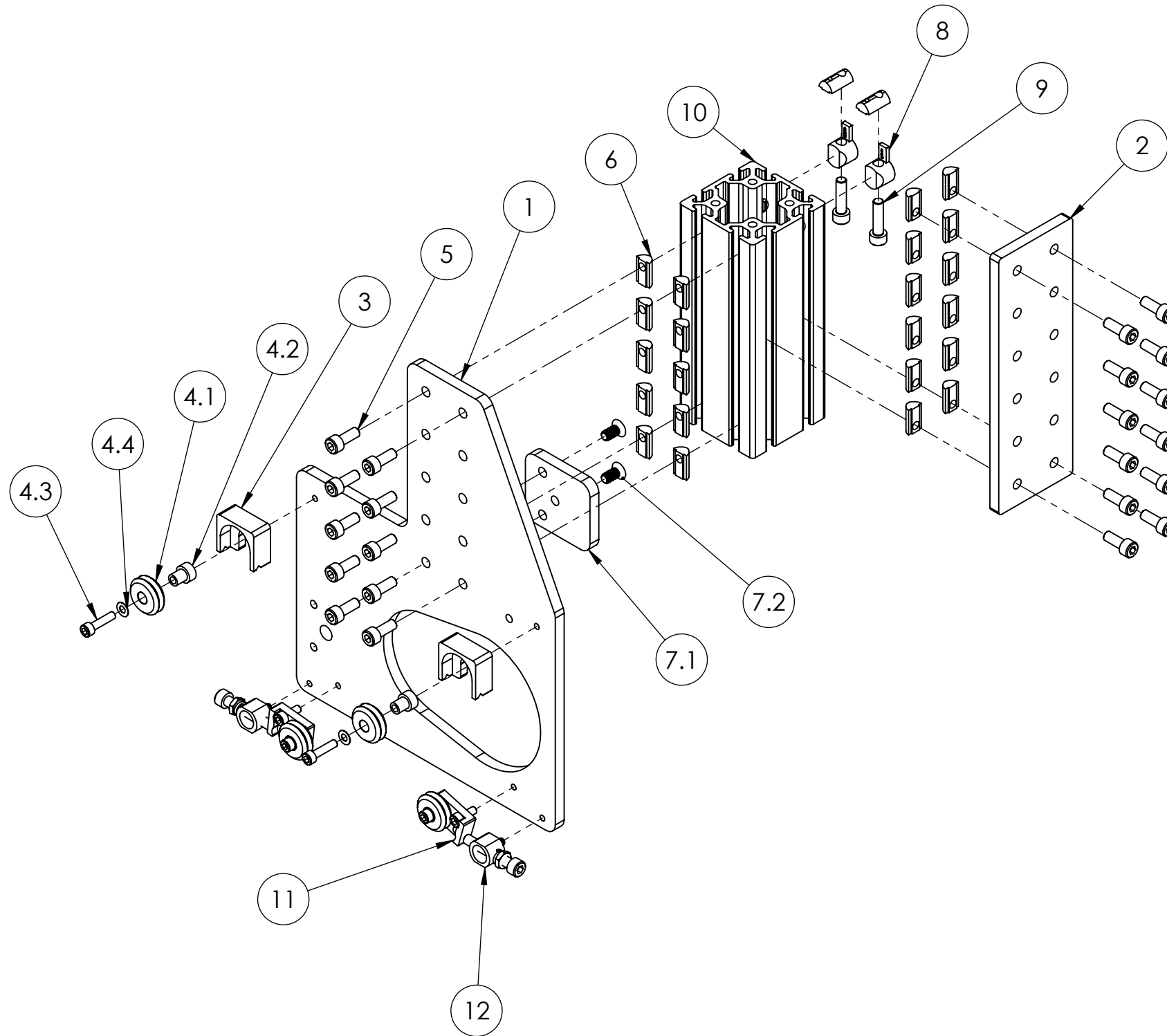


# CRP420-00 PRO Gantry Riser Assembly

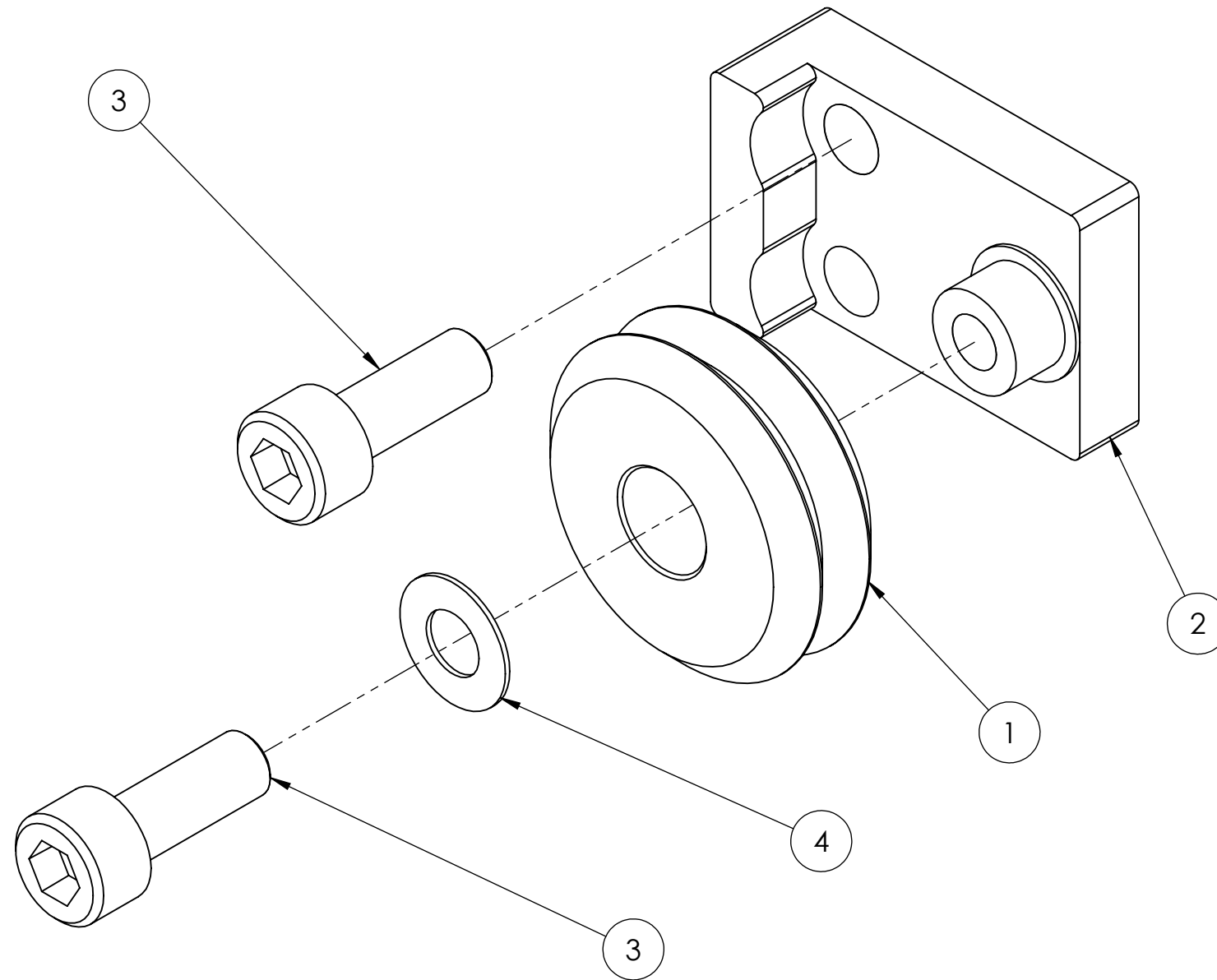


ITEM NO.	PART NUMBER	DESCRIPTION	QTY.
1	CRP420-09	PRO Grantry Riser Plate	1
2	CRP420-10	PRO Gantry Support Plate	1
3	CRP400-05	V-Con Wiper	2
4	CRP420-00-VFAST	V-Bearing Assembly	2
4.1	VB-W2	V-Roller Bearing	1
4.2	B2M	Bushing, Concentric, 6mm	1
4.3	SK-M6-25	M6 x 25mm Socket Head Cap Screw	1
4.4	FW-M6-05	M6 Flat Shim Washer - 0.5mm Thick	1
5	SK-M8-20	M8 x 20mm Socket Head Cap Screw	22
6	TNR-M8	T-Nut, Roll-in Ball, M8	24
7	CRP421-00-02	R&P Attachment Bracket with Hardware	1
7.1	CRP421-02	R&P Attachment Bracket	1
7.2	FH-M8-16	M8 x 16mm Flat Head Screw	2
8	2002	Anchor Fastener	2
9	SK-M8-30	M8-30 HEX SOCKET HEAD CAP SCREW	2
10	40-8080 X 300	40-8080 X 200mm W/Anchor Holes	1
11	CRP400-11-00	V-Con Tension Cam Assembly	2
12	CRP400-12-00	Tension Bolt Post Assembly	2

Note: This drawing is for the right side riser  
Mirror this drawing for the left side riser

# CRP400-11-00 V-Con Tension Cam Assembly

ITEM NO.	PART NUMBER	DESCRIPTION	QTY.
1	VB-W2	V-Roller Bearing	1
2	CRP400-11	V-Con Tension Cam	1
3	SK-M6-16	M6-16 HEX SOCKET HEAD CAP SCREW	2
4	FW-M6-05	M6 Flat Shim Washer - 0.5mm Thick	1



# CRP400-12-00 Tension Bolt Post Assembly

ITEM NO.	PART NUMBER	DESCRIPTION	QTY.
1	CRP400-12	Tensioner Mount for PRO Rack and Pinion Plate	1
2	SK-M8-50	M8-50 HEX SOCKET HEAD CAP SCREW	1
3	HNJ-M8	M8 Hex Jam Nut	1
4	90073A030	Split Lock Washer	1
5	FH-M6-12	M6x12mm Flat Head Cap Screw	1

