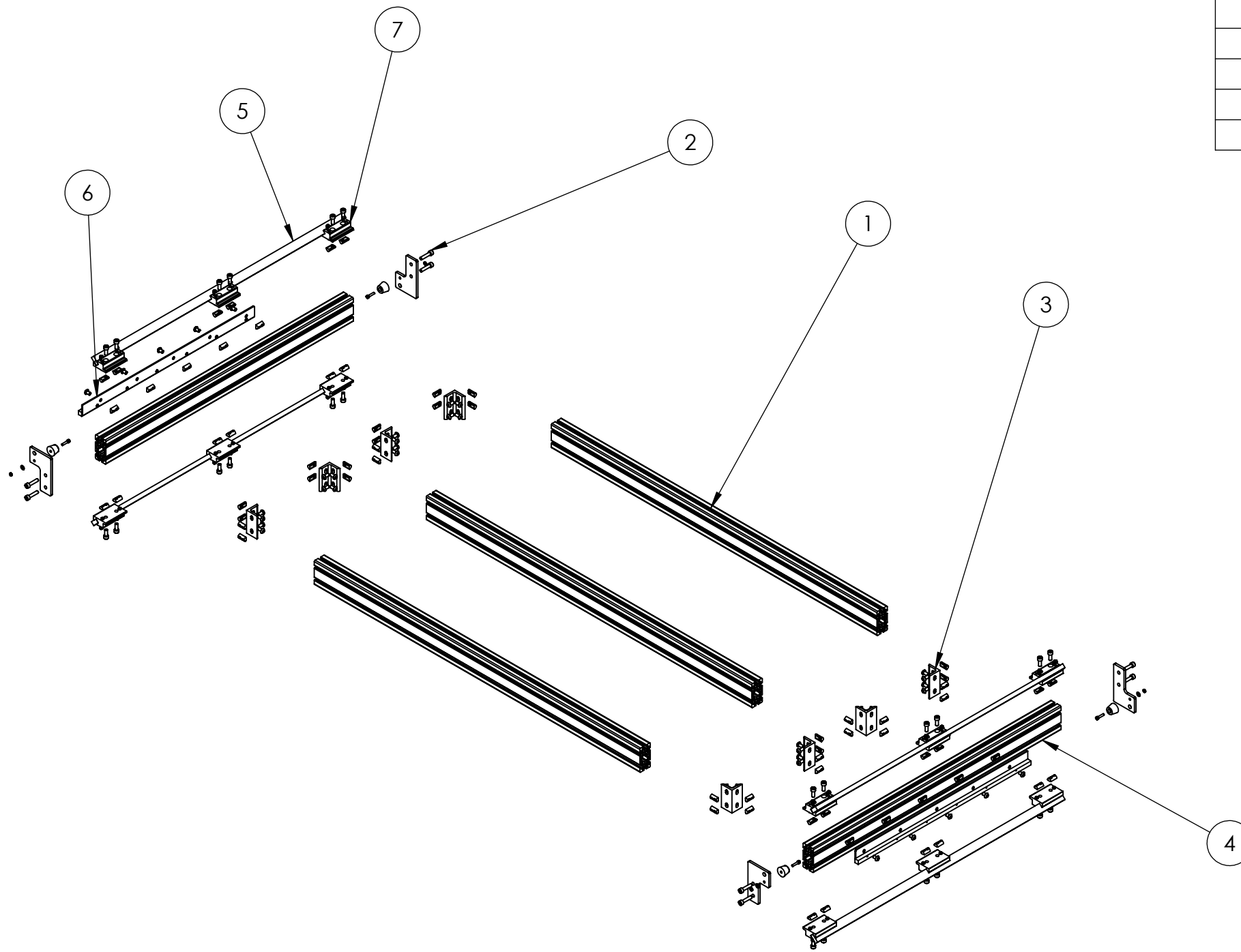


CRP410-4824 48" x 24" PRO Base Kit

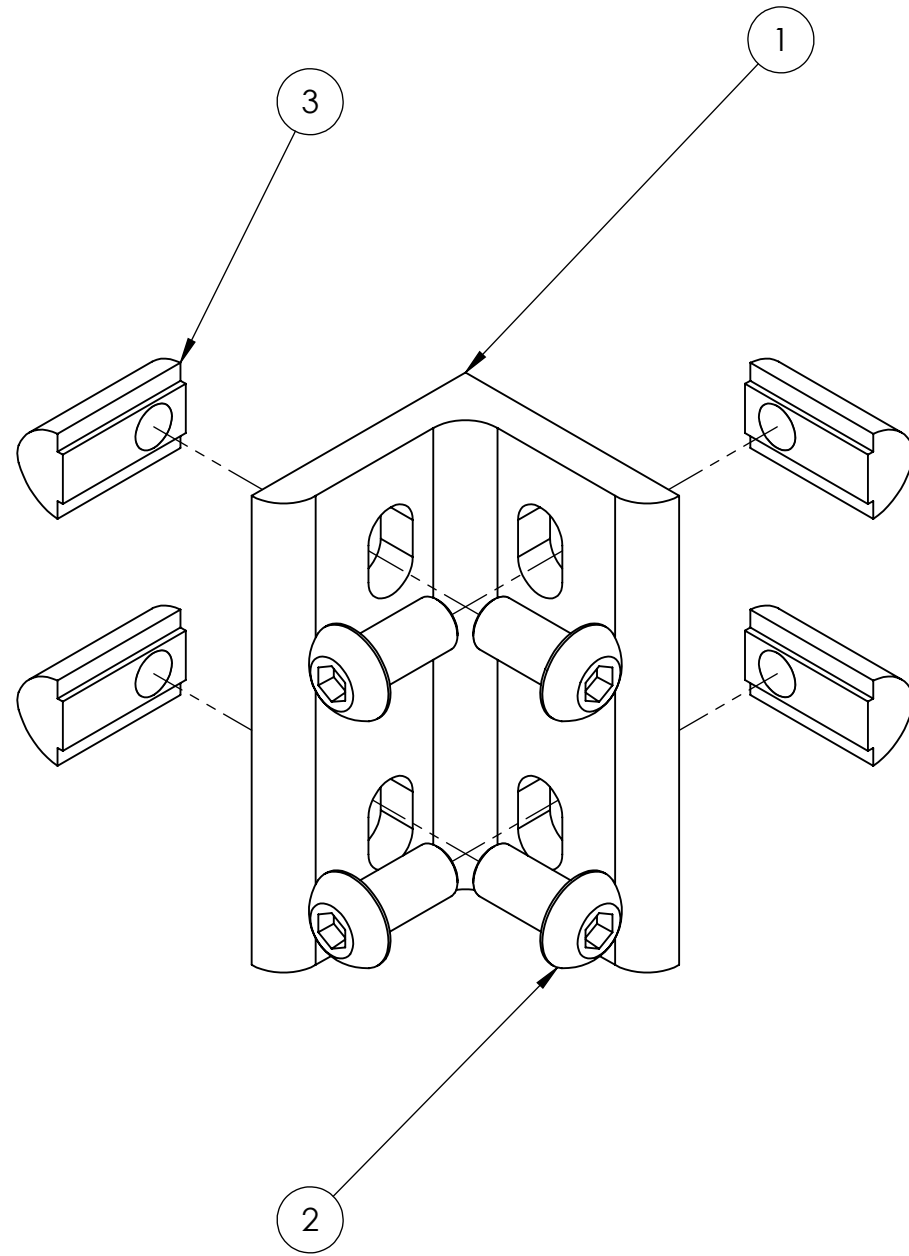
ITEM NO.	PART NUMBER	DESCRIPTION	QTY.
1	4080-1250	4080 Extrusion, 1250mm	3
2	CRP412-00	PRO X Axis Bumper Kit	4
3	4303-00	4 Hole Inside Corner Bracket with Fasteners	8
4	4080-950	4080 Extrusion, 950mm	2
5	1018-100-050-950	1" x 1/2" Steel Rail, 950mm	4
6	MGW-26	PRO Gear Rack	2
7	CRP400-01-00-LF	V-Con Rail Clamp Assembly	12



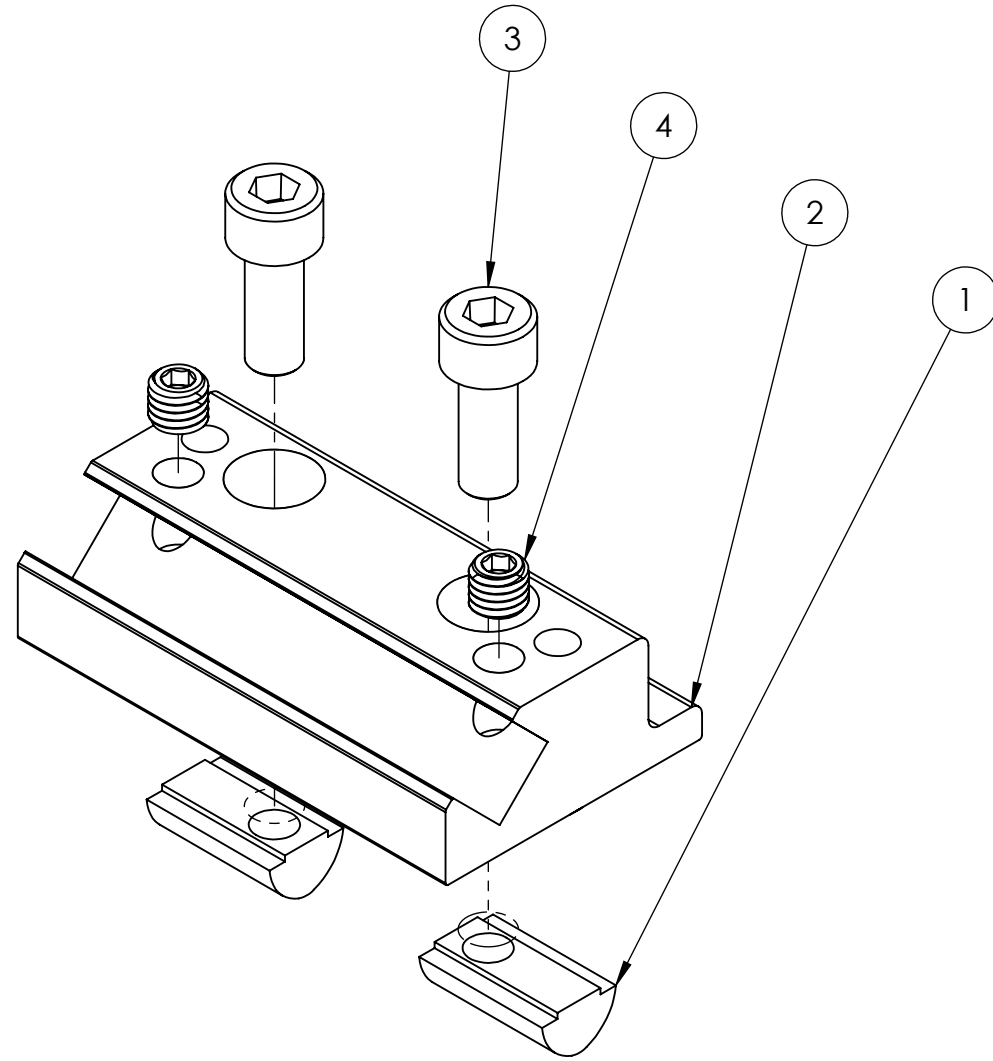
4303-00

4 Hole Inside Corner Bracket with Fasteners

ITEM NO.	PART NUMBER	DESCRIPTION	QTY.
1	4303	4 Hole Inside Corner Bracket	1
2	BHCS-M8-16	M8 X 16mm Button Head Cap Screw	4
3	TNR-M8	T-Nut, Roll-in Ball, M8	4

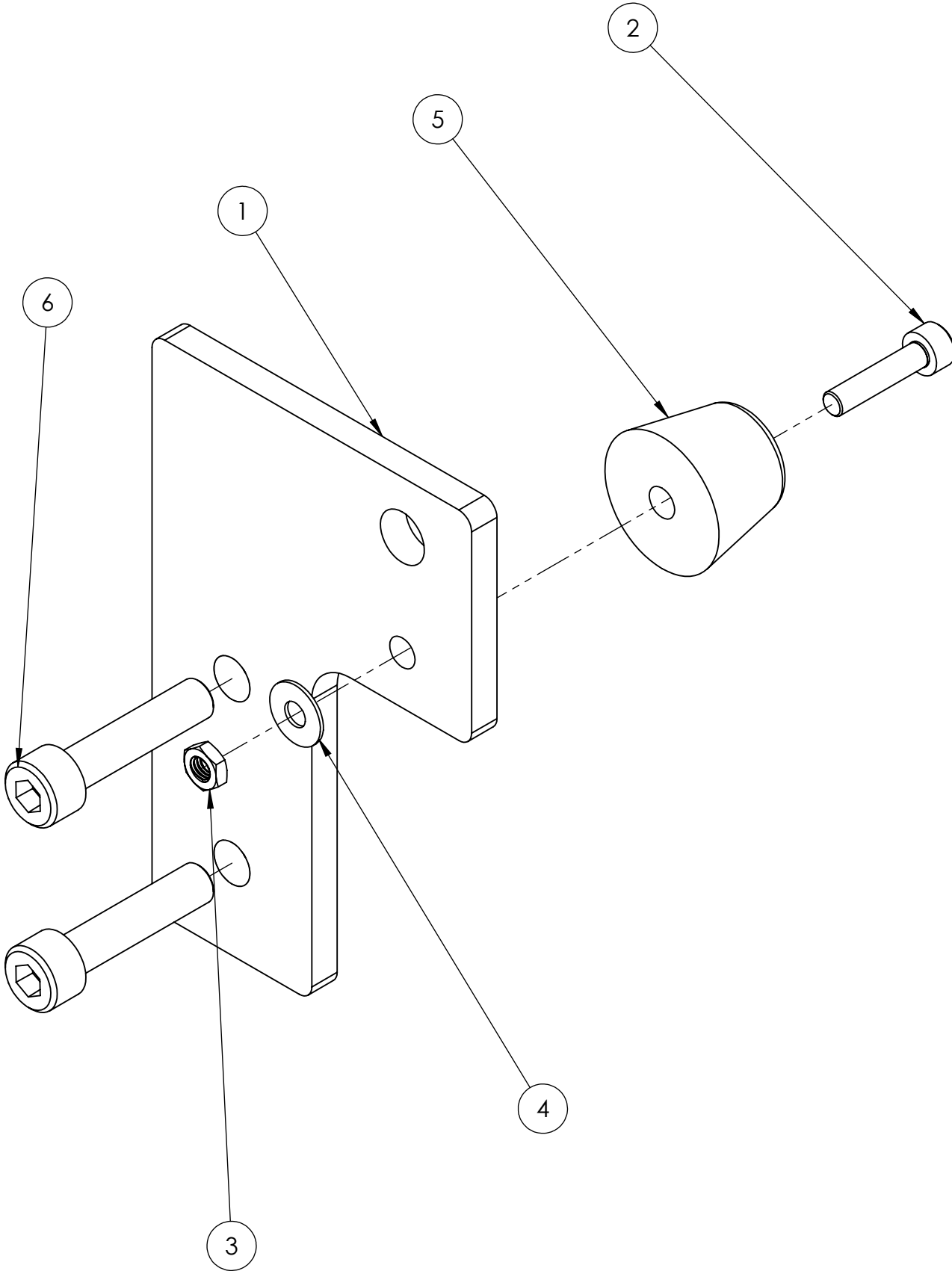


CRP400-01-00-LF V-Con Rail Clamp Assembly



ITEM NO.	PART NUMBER	DESCRIPTION	QTY.
1	TNR-M8	T-Nut, Roll-in Ball, M8	2
2	CRP400-01-500	V-Con Rail Clamp	1
3	SK-M8-20	M8 x 20mm Socket Head Cap Screw	2
4	SS-CP-M8-8	M8 x 8mm Set Screw, Cone Point	2

CRP412-00 PRO X Axis Bumper Kit



ITEM NO.	PART NUMBER	DESCRIPTION	QTY.
1	CRP412-01	PRO Bumper Bracket	1
2	SK-M5-22	M5 x 22mm Socket Head Cap Screw	1
3	HNJ-M5	Hex Nut Jam, M5	1
4	FW-1032	10-32 Flat Washer	1
5	9540K62	1-1/16" 70 Shore Bumper	1
6	SK-M8-35	M8 x 35mm Socket Head Cap Screw	2

Note: This assembly will need to be mirrored for certain placements

MGM-26 PRO Gear Rack

ITEM NO.	PART NUMBER	DESCRIPTION	QTY.
1	MGW-26	PRO Gear Rack, 26in	1
2	TNR-M8	T-Nut, Roll-in Ball, M8	5
3	BHCS-M8-12	M8 x 12mm Button Head Cap Screw	5

