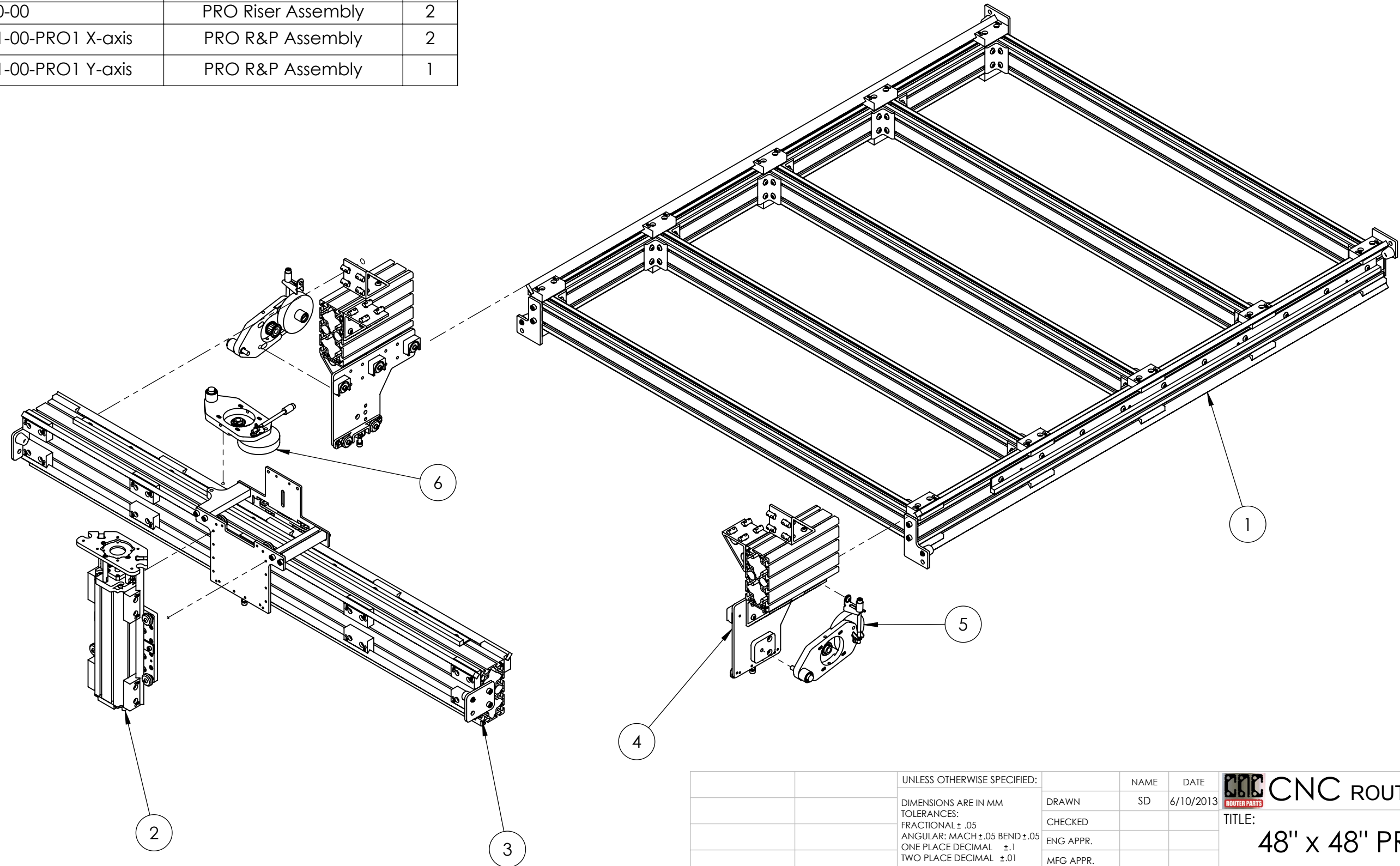


ITEM NO.	PART NUMBER	DESCRIPTION	QTY
1	CRP410-4848	48"x48" PRO Base Kit	1
2	CRP440-00-400	Ballscrew Z-Axis	1
3	CRP430-48	PRO Gantry Kit	1
4	CRP420-00	PRO Riser Assembly	2
5	CRP301-00-PRO1 X-axis	PRO R&P Assembly	2
6	CRP301-00-PRO1 Y-axis	PRO R&P Assembly	1



PROPRIETARY AND CONFIDENTIAL
 THE INFORMATION CONTAINED IN THIS DRAWING IS THE SOLE PROPERTY OF CNC ROUTER PARTS. ANY REPRODUCTION IN PART OR AS A WHOLE WITHOUT THE WRITTEN PERMISSION OF CNC ROUTER PARTS IS PROHIBITED.

UNLESS OTHERWISE SPECIFIED:		NAME	DATE
DIMENSIONS ARE IN MM		DRAWN	SD 6/10/2013
TOLERANCES:		CHECKED	
FRACTIONAL ± .05		ENG APPR.	
ANGULAR: MACH ± .05 BEND ± .05		MFG APPR.	
ONE PLACE DECIMAL ± .1		Q.A.	
TWO PLACE DECIMAL ± .01		COMMENTS:	
INTERPRET GEOMETRIC TOLERANCING PER: ANSI			
MATERIAL			
FINISH			
NEXT ASSY	USED ON		
APPLICATION	DO NOT SCALE DRAWING		

CNC ROUTER PARTS
 TITLE: **48" x 48" PRO Kit**
 SIZE: B DWG. NO.: **PRO4848** REV: **A**
 SCALE: 1:10 WEIGHT: SHEET 1 OF 1